

# ILLUSTRATED PARTS LIST

for the

***Kodak XLS 8600/8600 PS PRINTERS***

**Service Code: 2935, 2936**

***Kodak XLS 8657 DIGITAL PRINTER***

**Service Code: 0741**

***Kodak XLS 8400 PS PRINTER***

**Service Code: 0760**

***Kodak Digital Science™ 8650/8650 PS COLOR PRINTERS/32/48 MB***

**Service Codes: 2930, 2931, 2932, 2947**

***Kodak Digital Science™ MEDICAL COLOR IMAGER 2000***

**Service Code: 3441**

***Kodak Professional 8650R THERMAL PRINTER***

**Service Code: 3829**

***Kodak XLS 8660 PRINTER OEM***

***Kodak XLS 8680 PRINTER OEM***



**Important**

Use qualified personnel to service this equipment.



**Kodak Service & Support**

---

**PLEASE NOTE** The information contained herein is based on the experience and knowledge relating to the subject matter gained by Eastman Kodak Company prior to publication.

No patent license is granted by this information.

Eastman Kodak Company reserves the right to change this information without notice, and makes no warranty, express or implied, with respect to this information. Kodak shall not be liable for any loss or damage, including consequential or special damages, resulting from any use of this information, even if loss or damage is caused by Kodak's negligence or other fault.



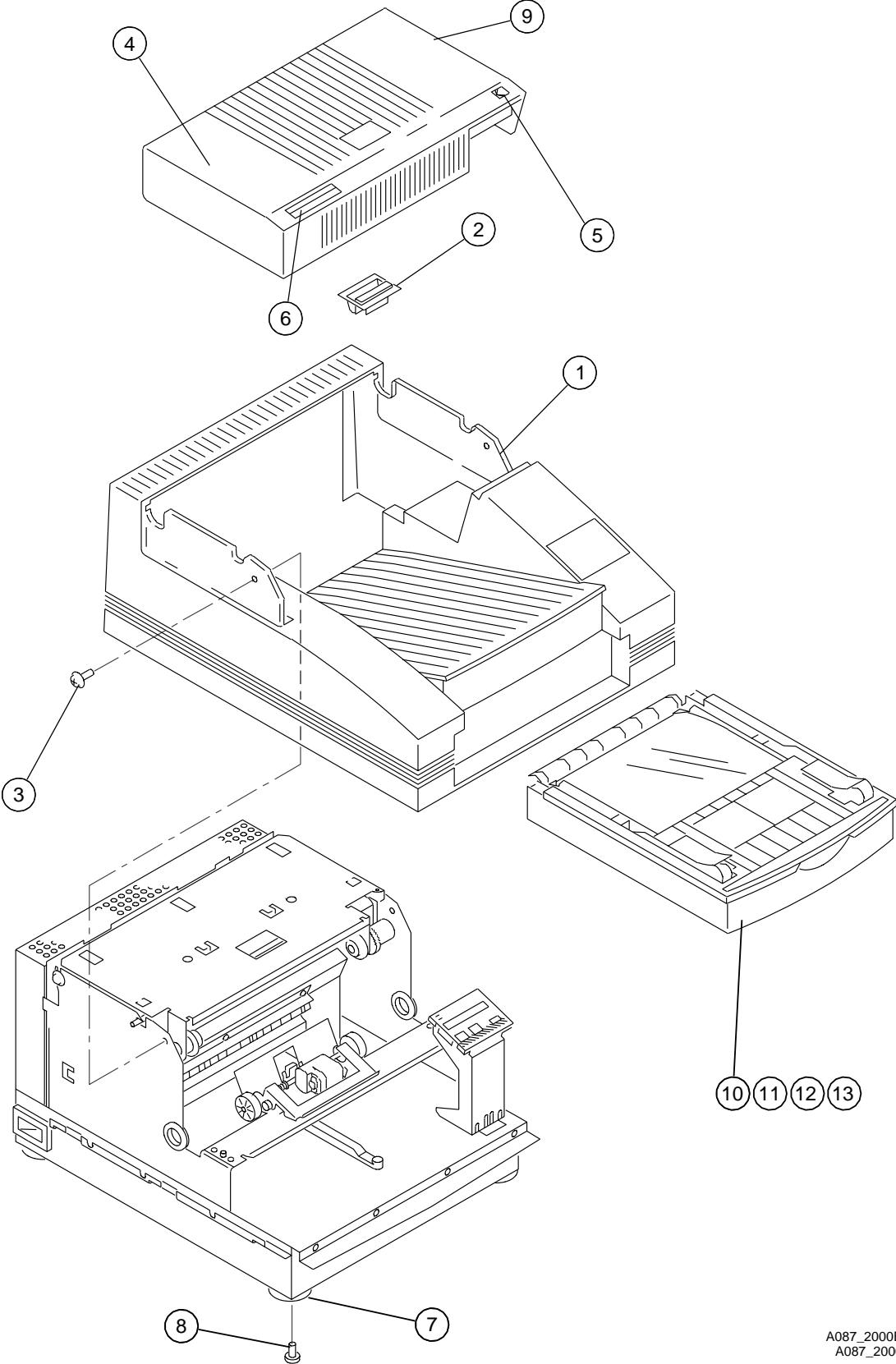
This equipment includes parts and assemblies sensitive to damage from electrostatic discharge. Use caution to prevent damage during all service procedures.

## Table of Contents

Description	Page
Illustrated Parts List . . . . .	3
ENCASEMENT AY . . . . .	3
ADJUSTABLE PICKER AY . . . . .	5
ADJUSTABLE PICKER AY - XLS 8657 . . . . .	6
URGE AY - XLS 8657 . . . . .	7
TRAY GUIDE - XLS 8600/PS and 8650/PS . . . . .	8
TRAY GUIDE - XLS 8657 . . . . .	9
TRAY TYPE SENSOR . . . . .	10
ROLLER AY with GEAR COVER . . . . .	11
SENSOR BRACKETS . . . . .	12
PINCH MOTOR and GEARS . . . . .	13
CAPSTAN ROLLER SHAFT/KICKER BANDS . . . . .	14
DATAPLATE . . . . .	15
LCD DISPLAY PANEL . . . . .	16
MOTOR BRACKET AY . . . . .	17
DONOR SUPPLY BRACKET . . . . .	18
FAN BRACKET AY . . . . .	19
THERMAL HEAD LIFT SHAFT AY . . . . .	20
THERMAL HEAD POSITION SENSOR . . . . .	21
DOOR SPRING/DOOR LATCH SHAFT AY . . . . .	22
DOOR INTERLOCK SWITCH . . . . .	23
DOOR AY . . . . .	24
CONTROLLER BOARD . . . . .	25
CONTROLLER BOARD/EPROMS . . . . .	26
CONTROLLER BD: THERMAL HEAD FUSE JUMPER . . . . .	28
THERMAL HEAD POWER CABLE . . . . .	29
THERMAL HEAD . . . . .	30
FEE BOARD . . . . .	31
FEE BOARD - XLS 8600/PS, XLS 8657, and 8650/PS . . . . .	32
DRAWER: Components . . . . .	34
POWER SUPPLY . . . . .	35
DRAWER FAN . . . . .	36
POWER SWITCH and PLUG . . . . .	37
BASE ENCLOSURE AY . . . . .	38
Alphabetical Index . . . . .	39
Numerical Index . . . . .	43

# Section 1: Illustrated Parts List

Figure 1 ENCASEMENT AY



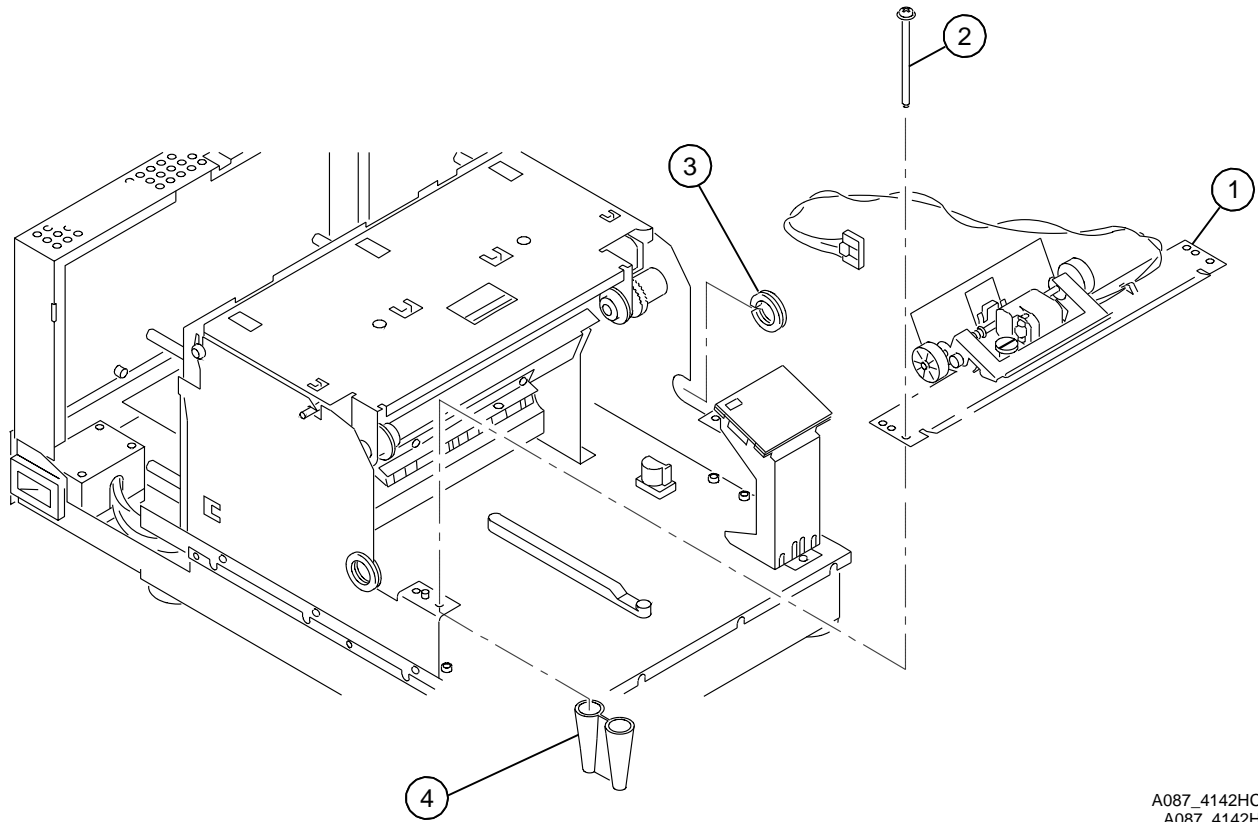
A087\_2000ECA  
A087\_2000EC

**ILLUSTRATED PARTS LIST**

**Figure 1 ENCASEMENT AY**

<b>Item</b>	<b>Part No.</b>	<b>Description</b>	<b>Qty.</b>	<b>Notes</b>
1	5B5457	ENCASEMENT	1	
2	3B0707	DOOR LATCH	1	
3	988346	SCREW	2	
4	173599	HEAD SCREW - <i>Phillips</i>	2	
5	719486	CORPORATE SYMBOL	1	
6	4B1058	NAMEPLATE LABEL - XLS 8600	1	
	4B1057	NAMEPLATE LABEL - XLS 8600 PS	1	
	4B1059	NAMEPLATE LABEL - XLS 8657	1	
	8B9082	NAMEPLATE LABEL - 8650	1	
	8B9087	NAMEPLATE LABEL - 8650 PS	1	
7	941338	PRINTER FOOT	4	
8	251526	SCREW	4	
9	3B0055	DOOR COVER	1	Order items 5 and 6.
10	4B0429	UNITRAY - 8.5 in.	1	
11	4B0430	UNITRAY - A4	1	
12	4B0431	UNITRAY - 9.5 x 14 in.	1	
13	4B0330	TRAY - XLS 8657	1	
	5B4833	EXIT TRAY COVER	1	Not visible in graphic.
	5B4692	POLYESTER NIGHT TIME COVER	1	Not visible in graphic.
	6C1886	SHIPPING PIN	2	Not visible in graphic.

Figure 2 ADJUSTABLE PICKER AY



A087\_4142HCA  
A087\_4142HC

Figure 2 ADJUSTABLE PICKER AY

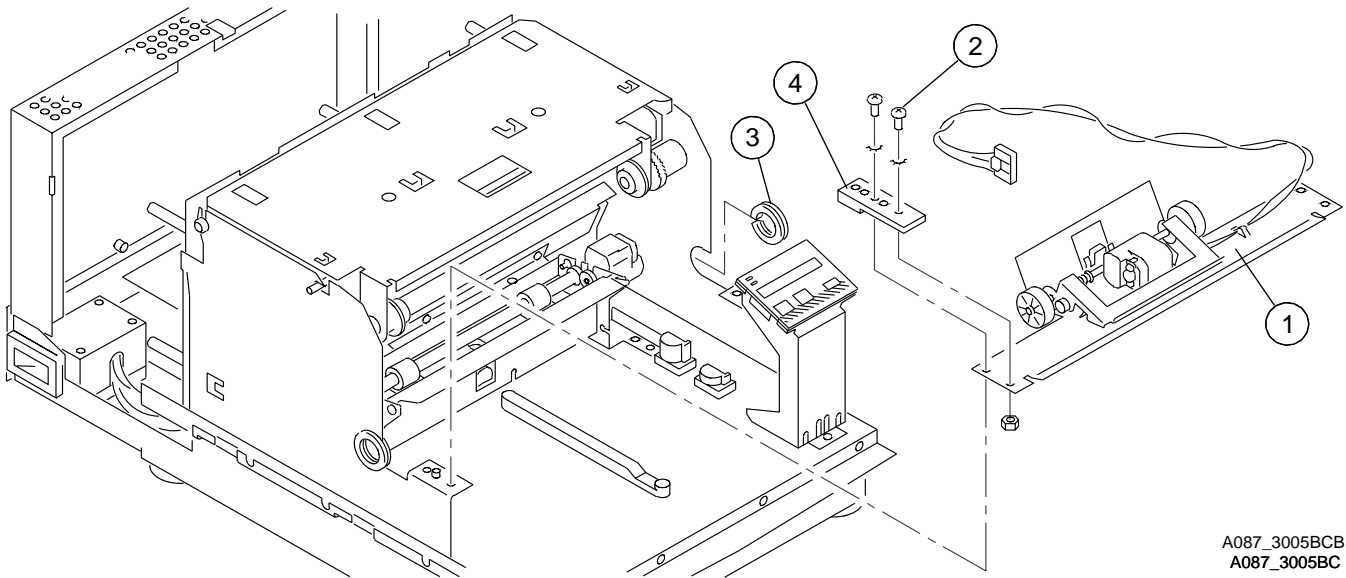
Item	Part No.	Description	Qty.	Notes
1	4B0403	ADJUSTABLE PICKER AY	1	
2	5B5722	SCREW	4	
3	258878	GROMMET	2	
4	5B5721	PICKER SUPPORT	2	
5	5B5910	PICKER WHEEL CLEANING KIT	1	Not visible in graphic.

**Note**

5B5721 and 5B5722 can only be used with the following PRINTERS and serial•numbers:

- XLS 8600 - B7003144 and above
- XLS 8600 PS - S6003949 and above
- XLS 8660 OEM - K2001320 and above
- 8650 - All

Figure 3 ADJUSTABLE PICKER AY - XLS 8657

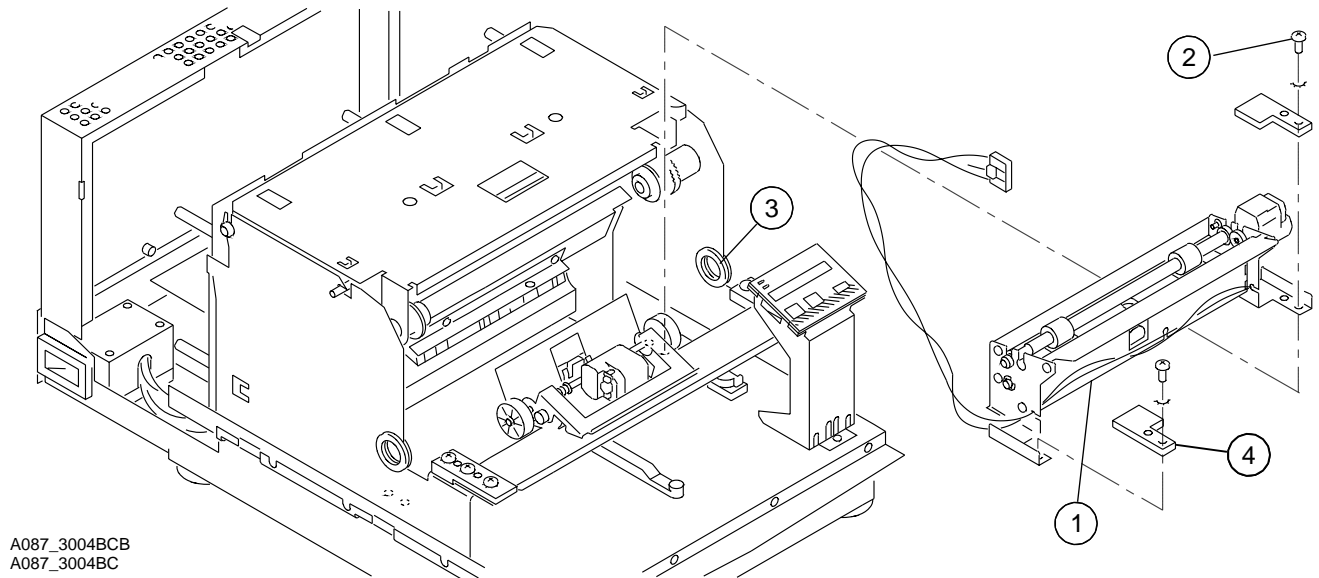


A087\_3005BCB  
A087\_3005BC

Figure 3 ADJUSTABLE PICKER AY - XLS 8657

Item	Part No.	Description	Qty.	Notes
1	4B0403	ADJUSTABLE PICKER AY	1	
2	6C1913	SCREW - <i>Torx</i>	4	
3	258878	GROMMET	2	
4	4B0326	PICKER ADAPTER BRACKET - XLS 8657	2	
5	5B5910	PICKER WHEEL CLEANING KIT	1	Not visible in graphic.

Figure 4 URGE AY - XLS 8657



A087\_3004BCB  
A087\_3004BC

Figure 4 URGE AY - XLS 8657

Item	Part No.	Description	Qty.	Notes
1	4B0331	URGE AY	1	
2	173599	HEAD SCREW - <i>Phillips</i>	4	
3	258878	GROMMET	1	
4	4B1027	URGE STIFFENER	2	
5	989175	CLIP - Wire holder	1	Not visible in graphic.

Figure 5 TRAY GUIDE - XLS 8600/PS and 8650/PS

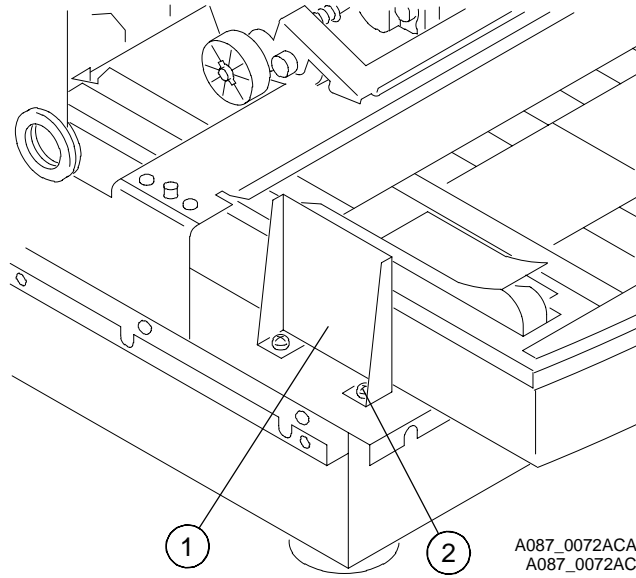
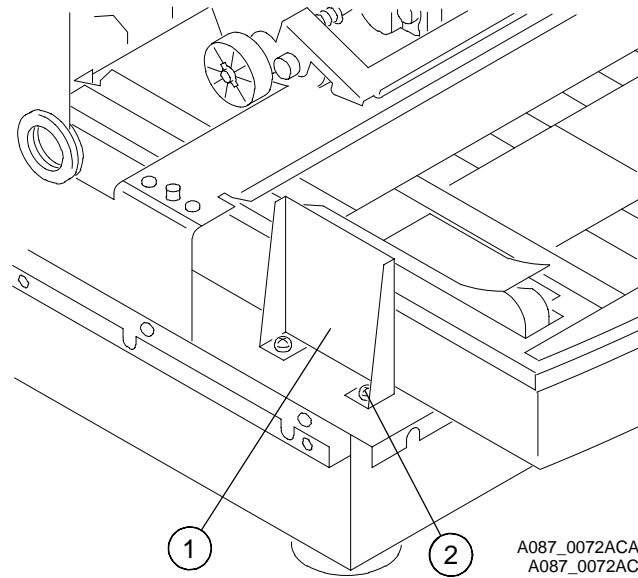


Figure 5 TRAY GUIDE - XLS 8600/PS and 8650/PS

Item	Part No.	Description	Qty.
1	941617	TRAY GUIDE - XLS 8600/PS and 8650/PS	1
2	939675	HEAD SCREW - <i>Phillips</i>	1



**Figure 6 TRAY GUIDE - XLS 8657**



**Figure 6 TRAY GUIDE - XLS 8657**

Item	Part No.	Description	Qty.
1	939675	HEAD SCREW - <i>Phillips</i>	2
2	4B0319	TRAY GUIDE - XLS 8657	1

Figure 7 TRAY TYPE SENSOR

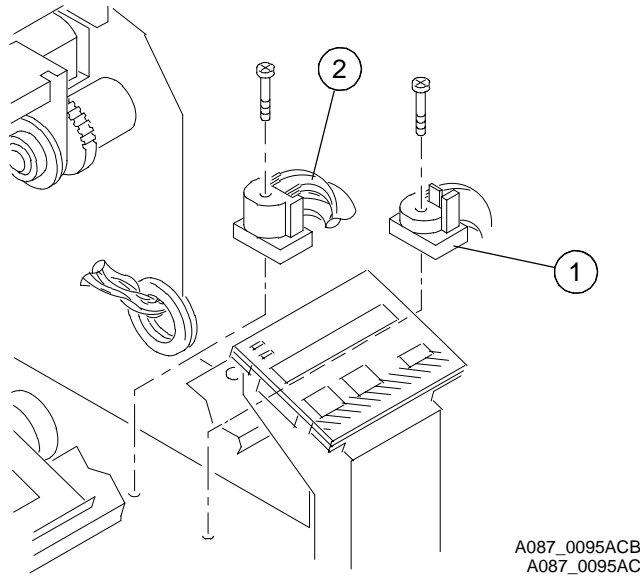


Figure 7 TRAY TYPE SENSOR

Item	Part No.	Description	Qty.	Notes
1	3B0273	TRAY TYPE SENSOR AY	1	Includes SCREW, TRAY SENSOR MOUNT, TRAY TYPE SENSOR, and HARNESS.
2	988368	TRAY TYPE SENSOR AY	1	Includes SCREW, TRAY SENSOR MOUNT, SPACER, TRAY TYPE SENSOR, and HARNESS.

Figure 8 ROLLER AY with GEAR COVER

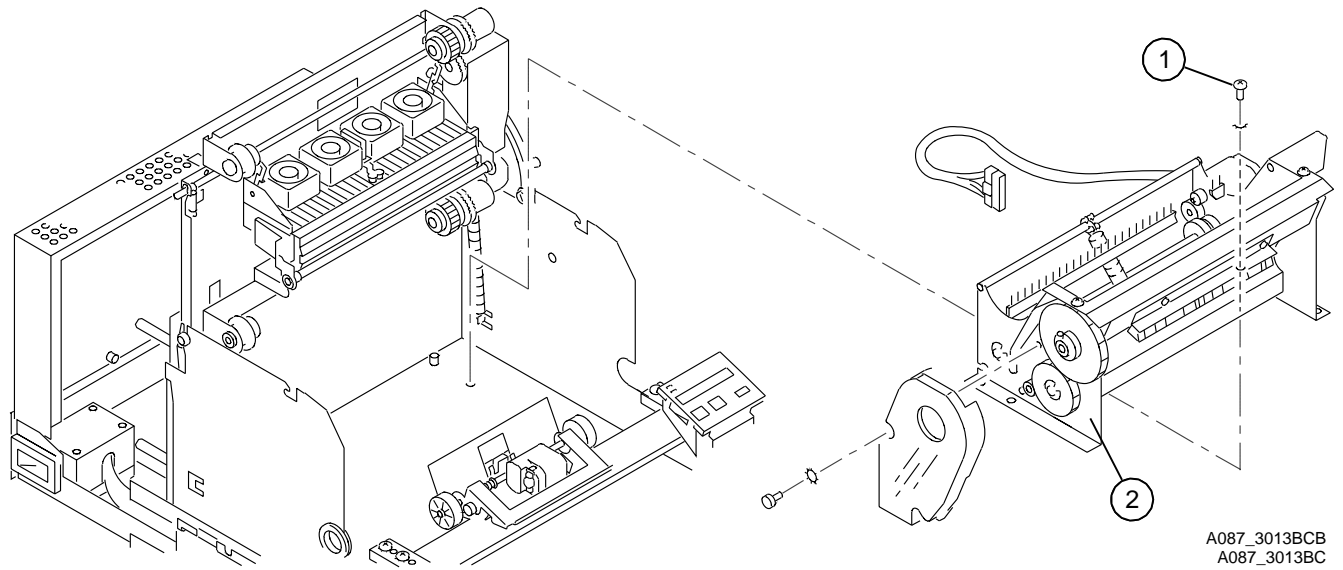
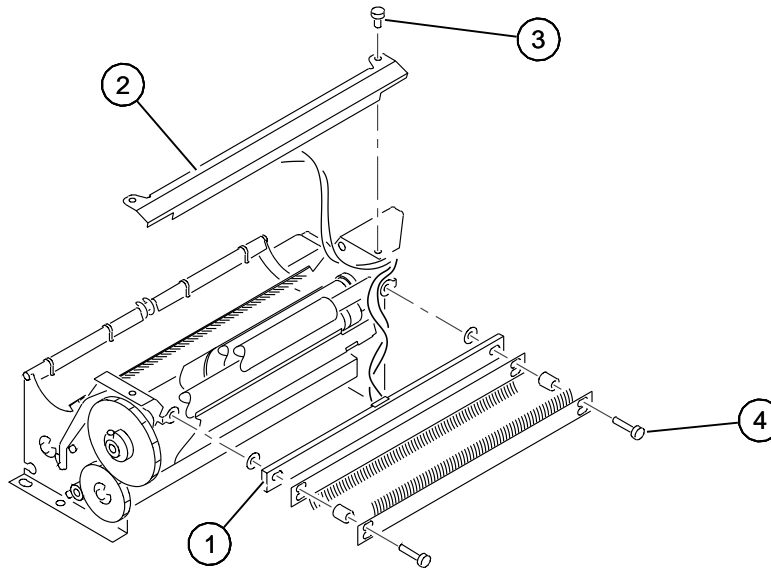


Figure 8 ROLLER AY with GEAR COVER

Item	Part No.	Description	Qty.	Notes
1	6C1912	SCREW - <i>Torx</i>	5	
2	5B5126	ROLLER AY with GEAR COVER	1	Return part.

Figure 9 SENSOR BRACKETS

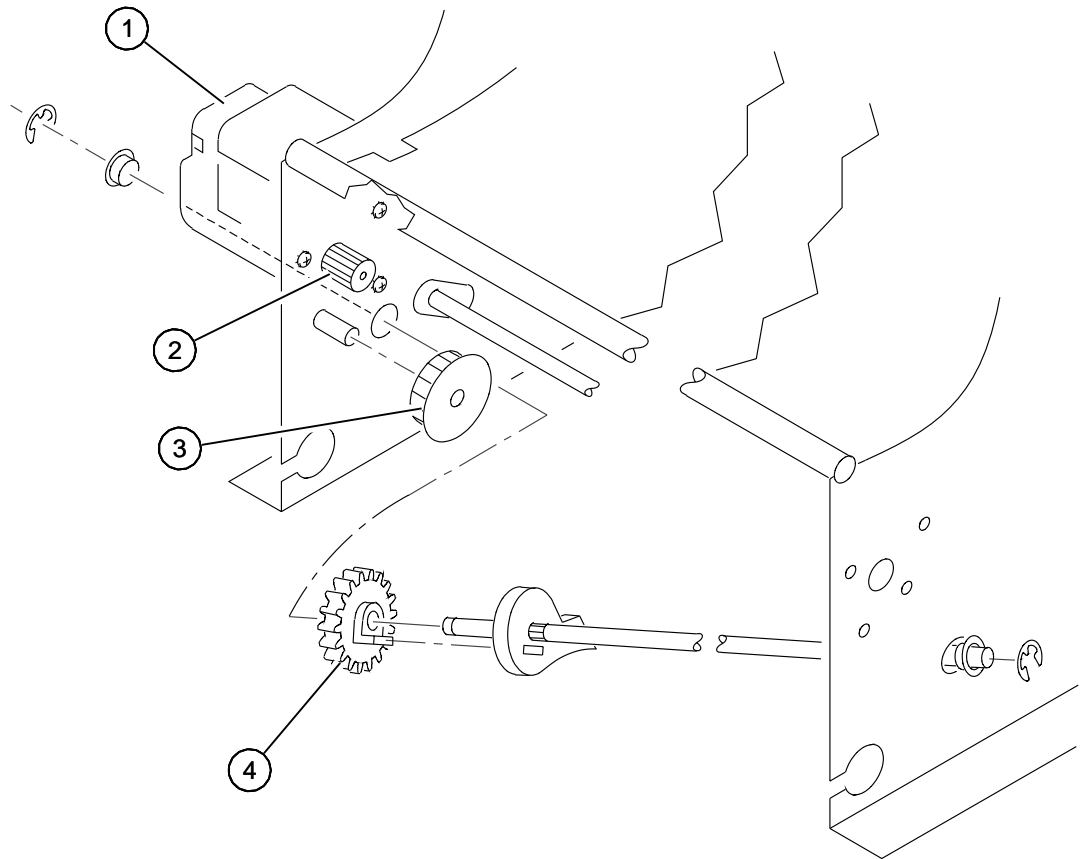


A087\_0303BCA  
A087\_0303BC

Figure 9 SENSOR BRACKETS

Item	Part No.	Description	Qty.
1	961846	LEAD EDGE SENSOR BRACKET	1
2	4B0243	DONOR SENSOR BRACKET	1
3	173599	HEAD SCREW - <i>Phillips</i>	2
4	166667	SCREW	2

Figure 10 PINCH MOTOR and GEARS

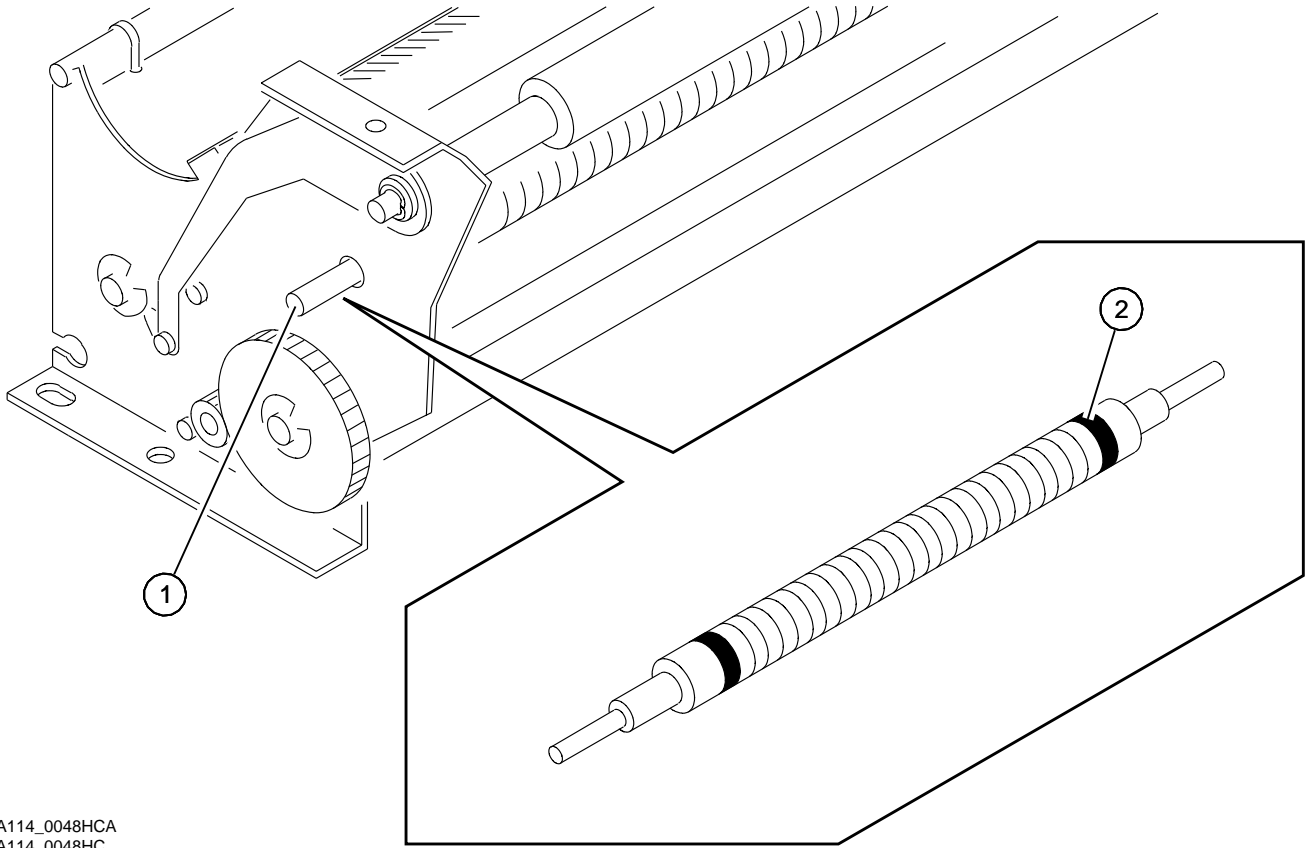


A114\_0056HCA  
A114\_0056HC

Figure 10 PINCH MOTOR and GEARS

Item	Part No.	Description	Qty.	Notes
1	6C1949	PINCH MOTOR KIT	1	Includes 3 SCREWS, MOTOR, and Items 2 and 3.
2	3B0200	PINCH MOTOR GEAR	1	
3	941502	IDLER GEAR	1	
4	941557	CAM GEAR	1	

Figure 11 CAPSTAN ROLLER SHAFT/KICKER BANDS

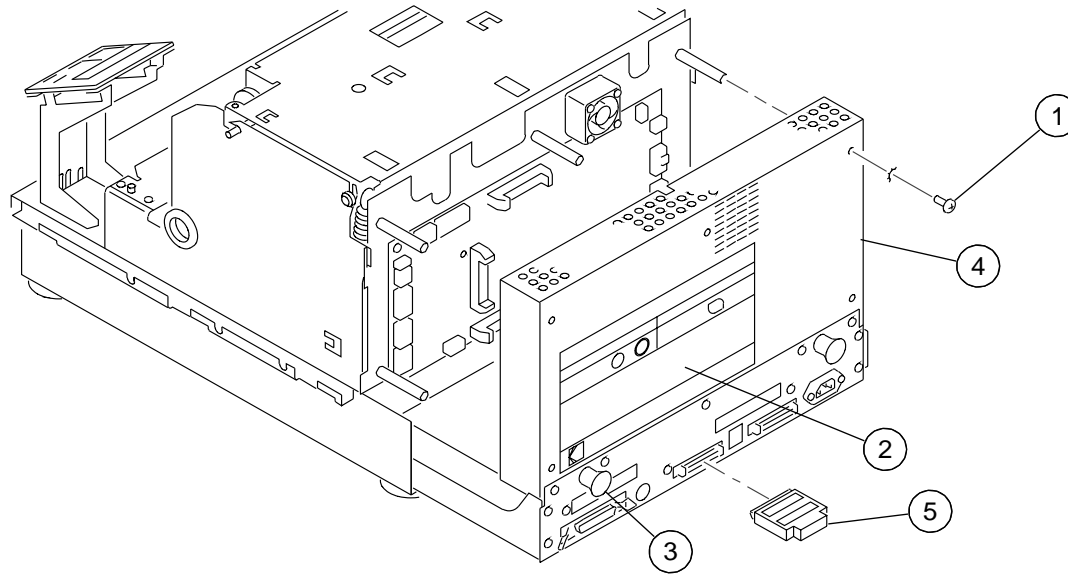


A114\_0048HCA  
A114\_0048HC

Figure 11 CAPSTAN ROLLER SHAFT/KICKER BANDS

Item	Part No.	Description	Qty.
1	988549	CAPSTAN ROLLER SHAFT	1
2	941490	KICKER BAND	2

Figure 12 DATAPLATE

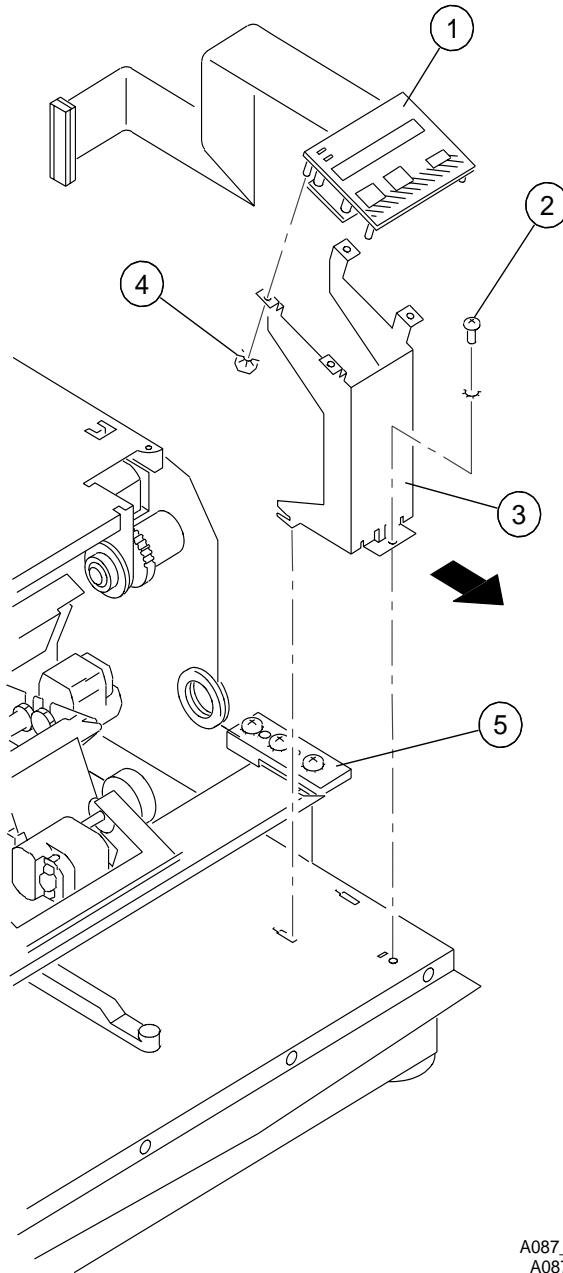


A087\_2001BCB  
A087\_2001BC

Figure 12 DATAPLATE

Item	Part No.	Description	Qty.
1	6C1913	SCREW - <i>Torx</i>	5
2	3B1694	DATAPLATE - XLS 8600	1
	3B1244	DATAPLATE - XLS 8600 PS	1
	8B9080	DATAPLATE - 8650	1
	8B9085	DATAPLATE - 8650 PS, 32 MB	1
	8B9063	DATAPLATE - 8650 PS, 48 MB	1
	4B0322	DATAPLATE - XLS 8657	1
3	941626	KNOB	2
4	3B0466	ENCLOSURE AY	1
5	3B0363	SCSI TERMINATOR	1

Figure 13 LCD DISPLAY PANEL



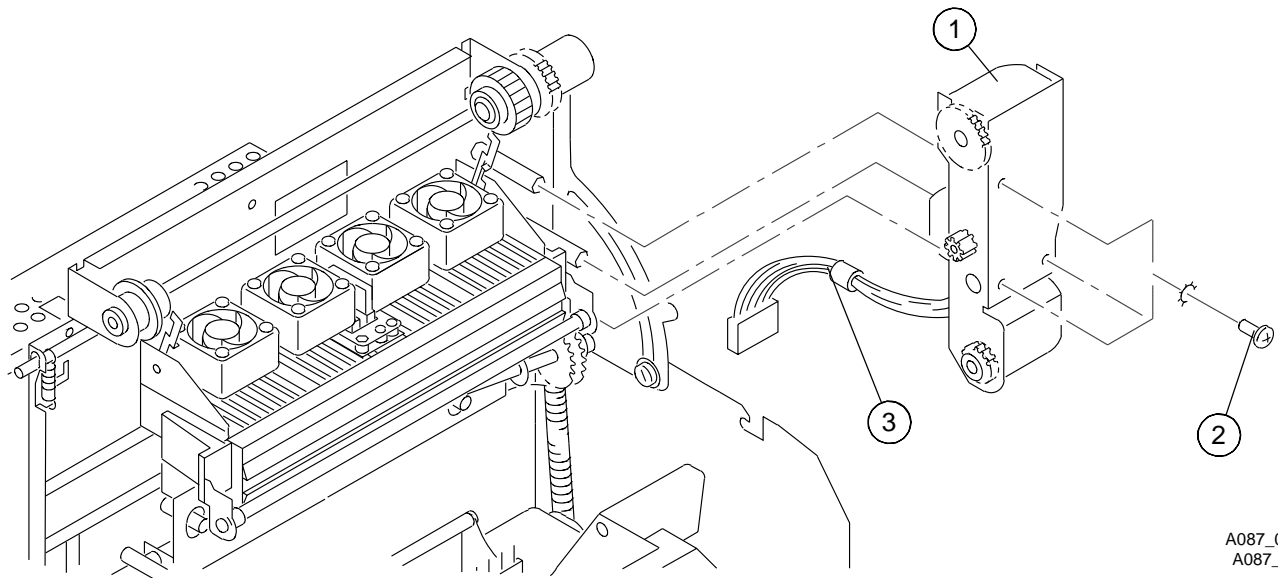
A087\_3008CCB  
A087\_3008CC

Figure 13 LCD DISPLAY PANEL

Item	Part No.	Description	Qty.	Notes
1	941363	LCD DISPLAY PANEL	1	
2	6C1774	SCREW - <i>Torx</i>	1	
3	3B1254	LCD DISPLAY PANEL BRACKET - XLS 8600/PS and 8650/PS	1	
	4B0318	LCD DISPLAY PANEL BRACKET - XLS 8657	1	
	4B1272	LCD DISPLAY PANEL BRACKET - XLS 8660/8680 OEM	1	
4	609904	NUT	4	
5	4B0326	PICKER ADAPTER BRACKET - XLS 8657	1	



Figure 14 MOTOR BRACKET AY

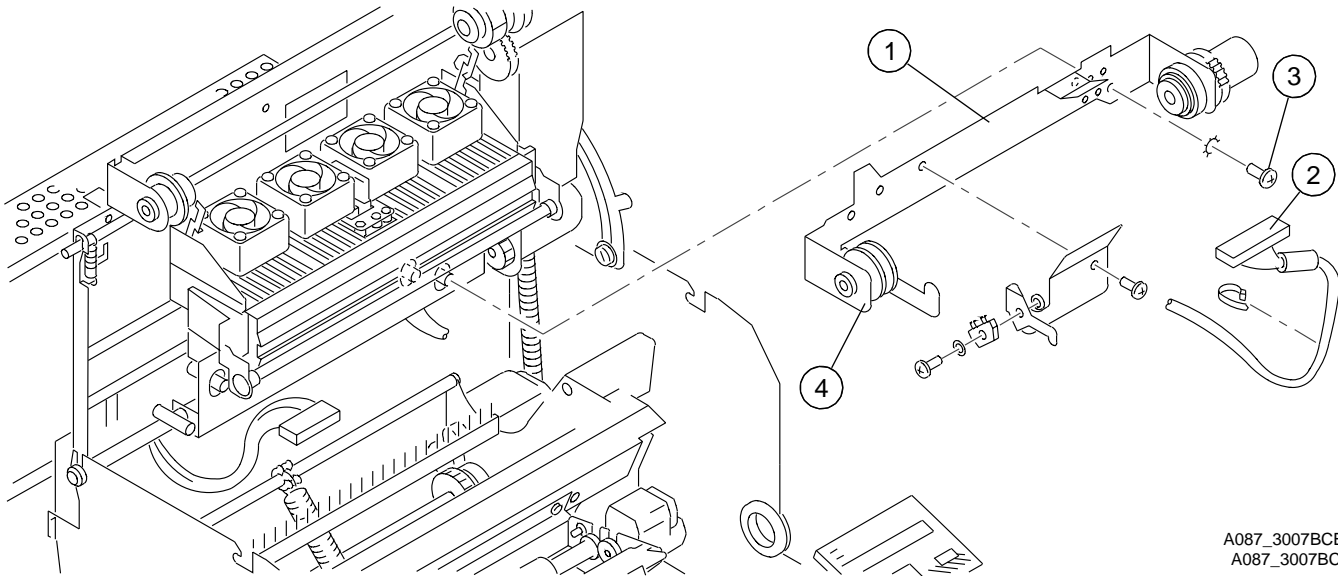


A087\_0014BCB  
A087\_0014BC

Figure 14 MOTOR BRACKET AY

Item	Part No.	Description	Qty.	Notes
1	3B0726	MOTOR BRACKET AY	1	
2	6C1911	SCREW - <i>Torx</i>	3	
3	921332	FERRITE BEAD	1	

Figure 15 DONOR SUPPLY BRACKET

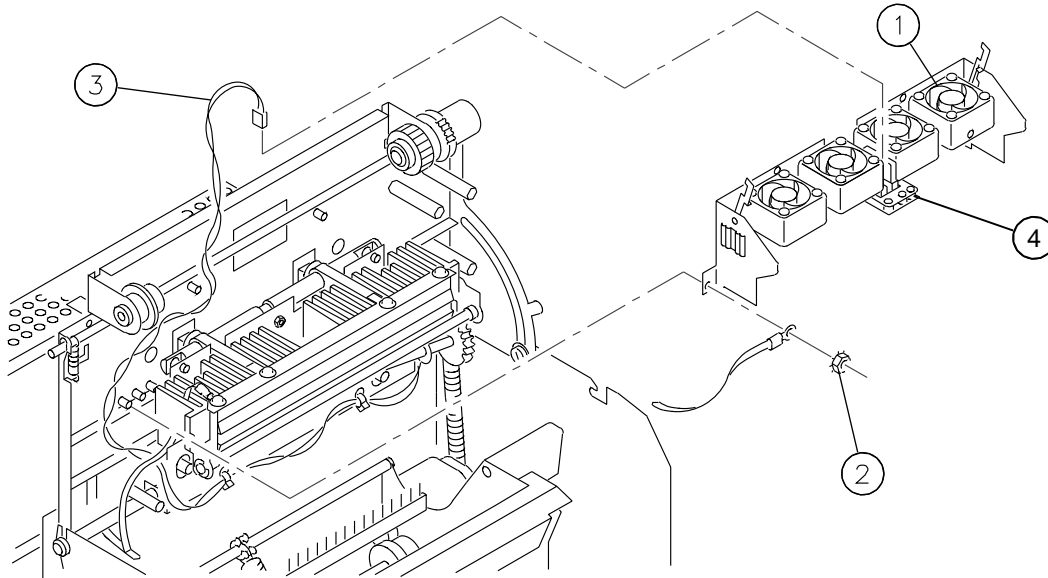


A087\_3007BCB  
A087\_3007BC

Figure 15 DONOR SUPPLY BRACKET

Item	Part No.	Description	Qty.	Notes
1	2H3304	DONOR SUPPLY BRACKET, Adjustable	1	Return part. Includes the SUPPLY SPINDLE AY and HARDWARE, DONOR SUPPLY CLUTCH SPINDLE AY and HARDWARE, THERMAL HEAD DATA CABLE, THERMAL HEAD DATA CABLE BRACKET, BAR CODE SENSOR, and BOARD.
2	4B1344	THERMAL HEAD DATA CABLE	1	
3	6C1911	SCREW - Torx	4	
4	3B0275	DONOR SUPPLY SPINDLE AY	1	Includes the DONOR SUPPLY SPINDLE, SPRING, SCREW, and WASHER.

Figure 16 FAN BRACKET AY

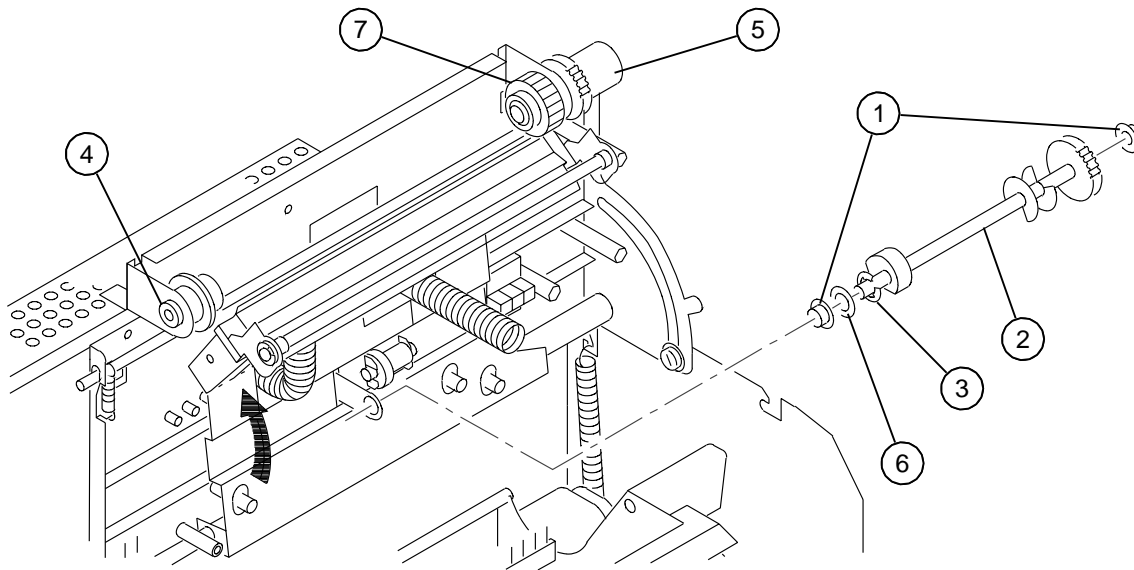


A087\_0016BCB  
A087\_0016BC

Figure 16 FAN BRACKET AY

Item	Part No.	Description	Qty.	Notes
1	7C3762	FAN BRACKET AY	1	Includes the 4 FANS, DONOR EMITTER BOARD, and the THERMAL HEAD RAMP BRACKET.
2	609904	NUT	4	
3	988535	CABLE	1	
4	3H6491	BLUE/GREEN LED BOARD	1	

Figure 17 THERMAL HEAD LIFT SHAFT AY

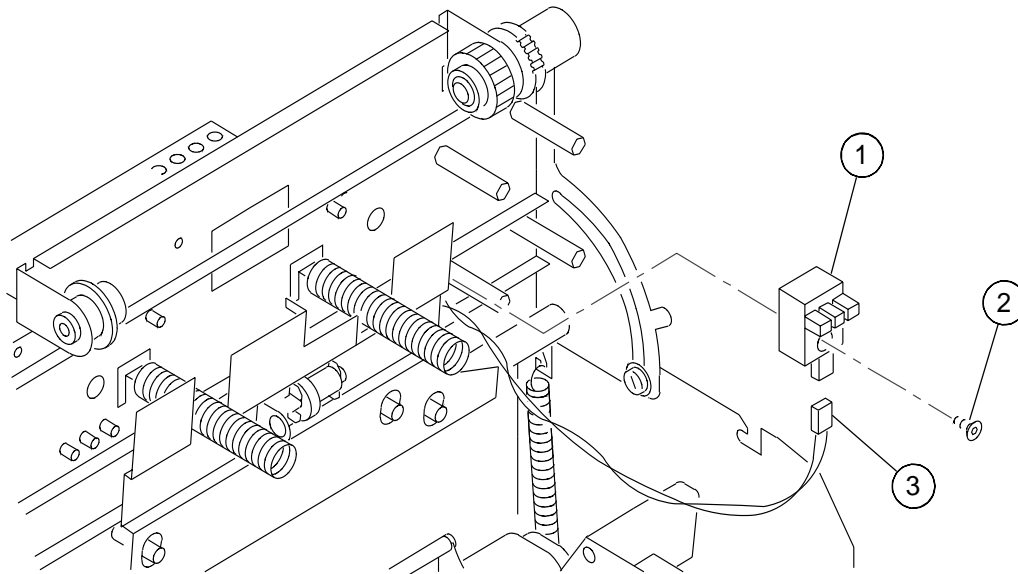


A087\_0017BCC  
A087\_0017BC

Figure 17 THERMAL HEAD LIFT SHAFT AY

Item	Part No.	Description	Qty.	Notes
1	3B0212	BUSHING	2	
2	4B0230	THERMAL HEAD LIFT SHAFT AY	1	
3	149878	E-RING	1	
4	988371	TAKE-UP SPINDLE AY	1	Includes the SPINDLE, SPRING, WASHER, and SHAFT.
5	4B0713	TAKE-UP CLUTCH AY - XLS 8600/PS and 8650/PS	1	Includes the SPINDLE, SCREW, and CLUTCH.
6	3B0249	WASHER - CAM	1	
7	4B1462	SUPPLY SPINDLE AY	1	Includes the 2 DRIVE SIDE SPINDLES, 2 WASHERS, and 2 SCREWS.

**Figure 18 THERMAL HEAD POSITION SENSOR**

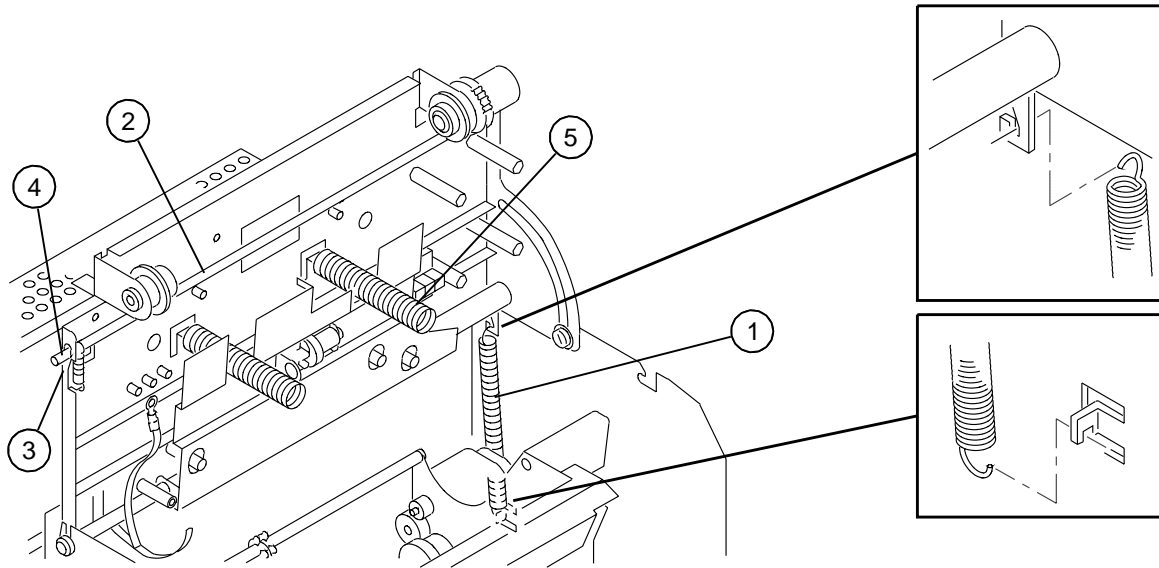


A087\_0019BCB  
A087\_0019BC

**Figure 18 THERMAL HEAD POSITION SENSOR**

Item	Part No.	Description	Qty.
1	941401	SENSOR, THERMAL HEAD POSITION	1
2	3C0672	SCREW - <i>Torx</i>	1
3	3B0299	CABLE, THERMAL HEAD POSITION	1

Figure 19 DOOR SPRING/DOOR LATCH SHAFT AY

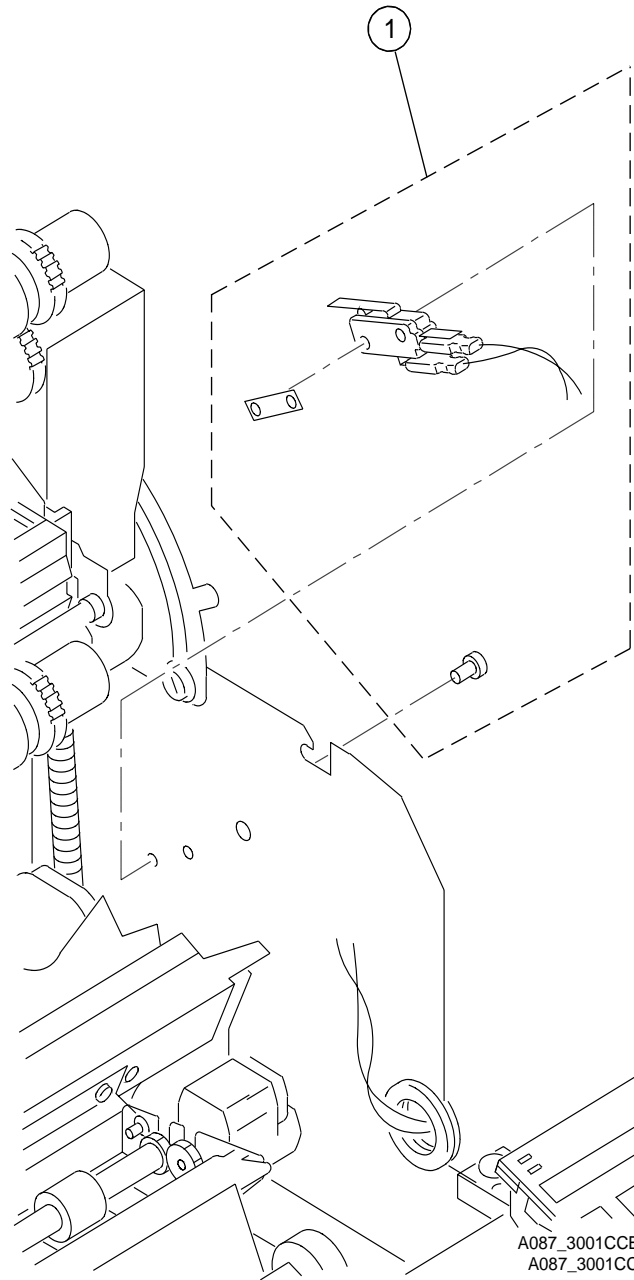


A087\_0035BCB  
A087\_0035BC

Figure 19 DOOR SPRING/DOOR LATCH SHAFT AY

Item	Part No.	Description	Qty.	Notes
1	941379	DOOR SPRING	2	
2	941384	DOOR LATCH SHAFT AY	1	Includes the E-RING and SPRING.
3	794221	E-RING	2	Not visible in graphic.
4	253099	SPRING	2	

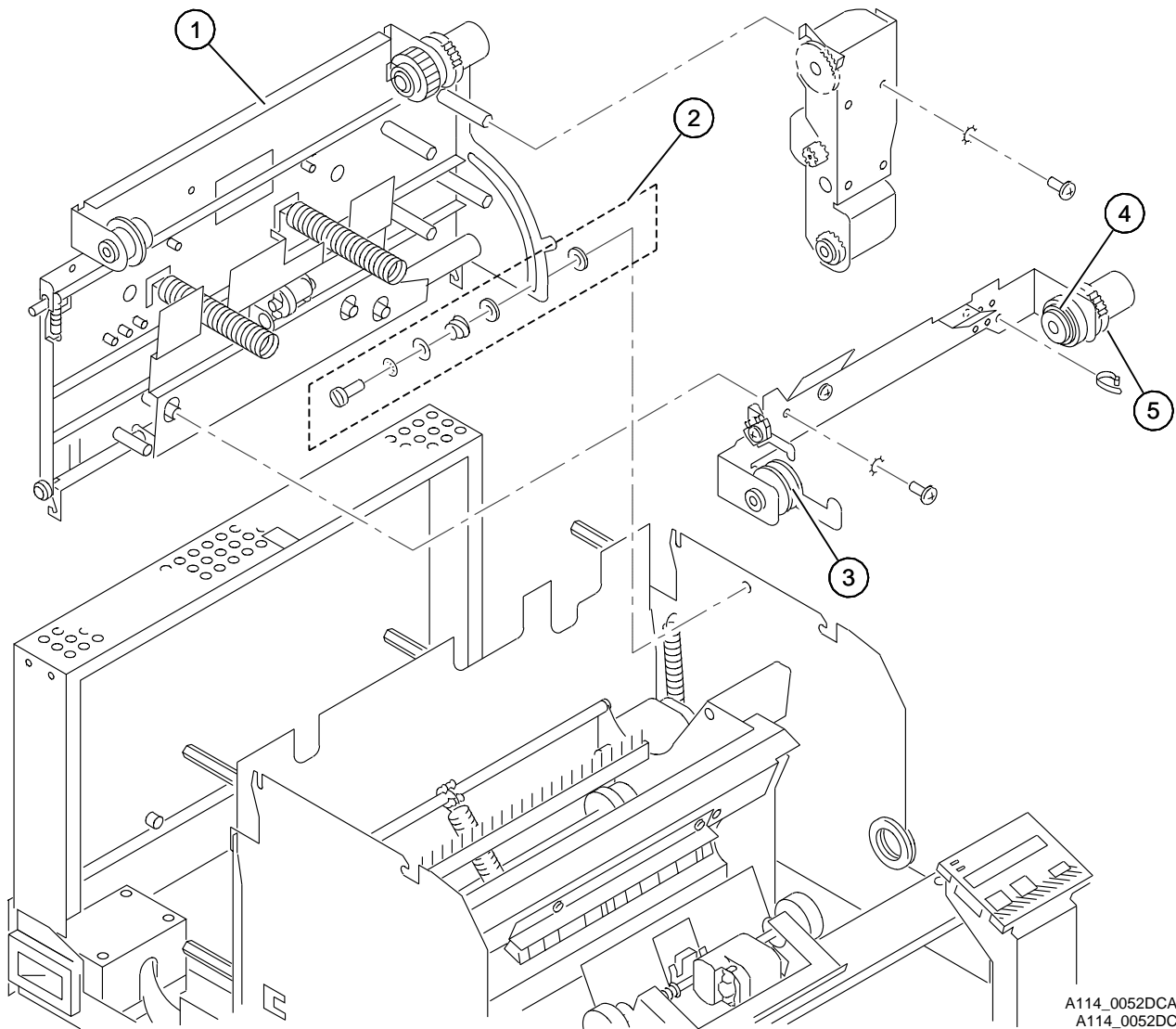
**Figure 20 DOOR INTERLOCK SWITCH**



**Figure 20 DOOR INTERLOCK SWITCH**

Item	Part No.	Description	Qty.	Notes
1	988367	INTERLOCK SWITCH	1	Includes the CABLE, 2 SCREWS, SWITCH, and SWITCH PLATE.

Figure 21 DOOR AY



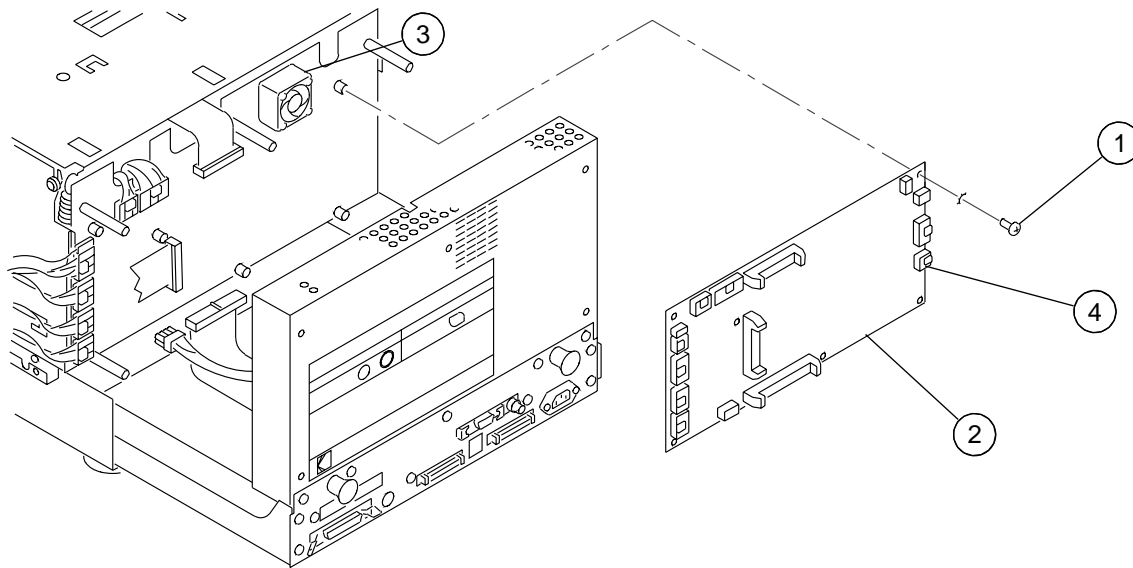
A114\_0052DCA  
A114\_0052DC

Figure 21 DOOR AY

Item	Part No.	Description	Qty.	Notes
1	4B0406	DOOR AY	1	Return part. Includes the MOTOR BRACKET AY, SUPPLY BRACKET AY, TAKE-UP SPINDLE ASSEMBLIES, DOOR LATCH SHAFT AY, and the THERMAL HEAD LIFT SHAFT SENSOR.
2	988369	DOOR BRAKE KIT	1	Includes the DOOR BRAKE, SPRING, SEMS SCREW, and WASHER.
3	988370	DONOR SUPPLY SPINDLE AY	1	Includes the DONOR SUPPLY SPINDLE, SPRING, SCREW, and WASHER.
4	4B1462	SUPPLY SPINDLE AY KIT	1	Includes 2 DRIVE SIDE SPINDLES, 2 WASHERS, and 2 SCREWS.
5	4B0849	SUPPLY CLUTCH	1	



Figure 22 CONTROLLER BOARD

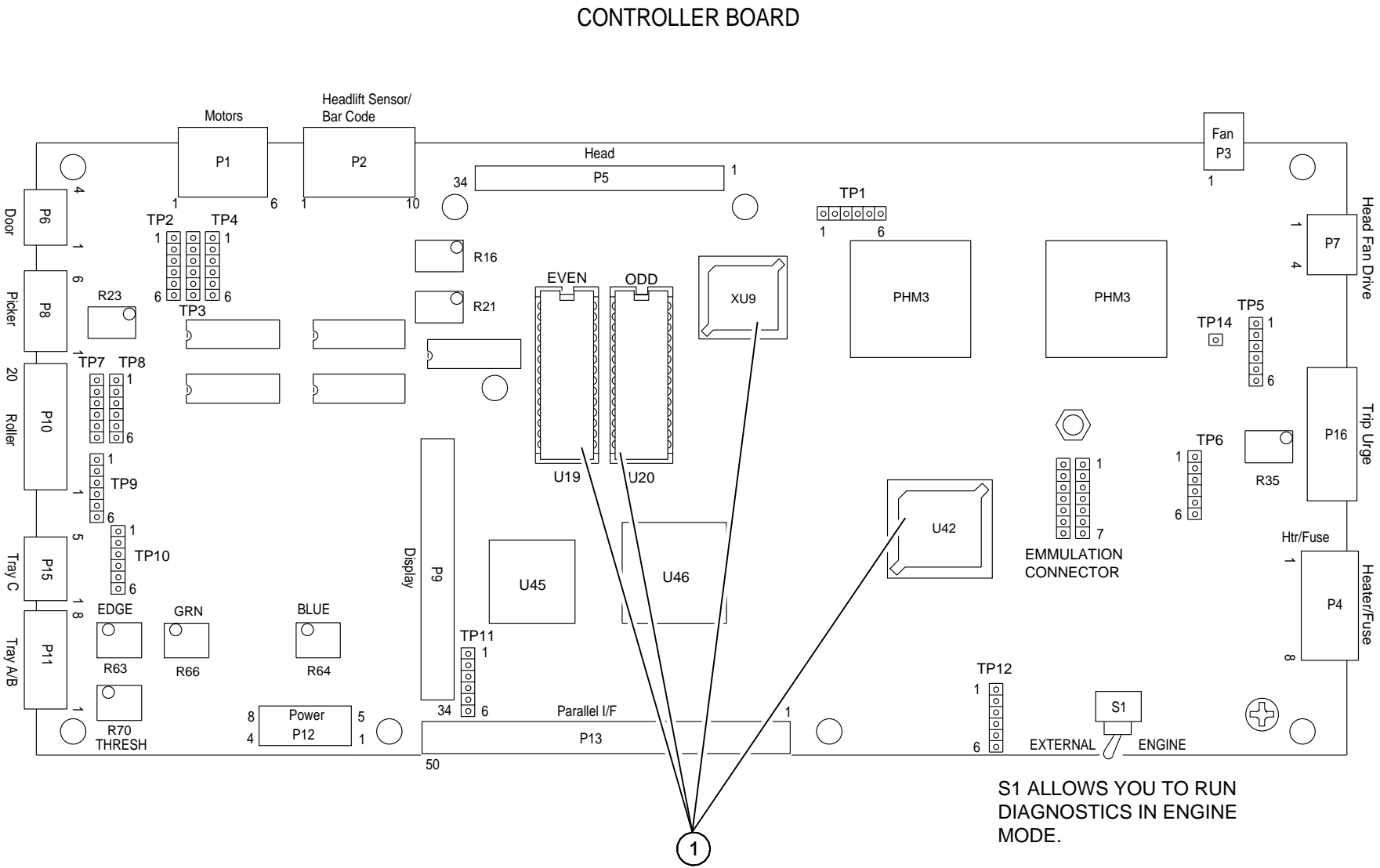


A087\_2003BCB  
A087\_2003BC

Figure 22 CONTROLLER BOARD

Item	Part No.	Description	Qty.	Notes
1	6C1774	SCREW - <i>Torx</i>	9	
2	6C1793	CONTROLLER BD - 8600/PS, 8657, 8660 OEM, MCI 2000 with Style 1 THERMAL HEAD	1	Return part.
	6C1794	CONTROLLER BD - 8650/PS, 8680 OEM with Style 1 THERMAL HEAD	1	Return part.
	6C1251	CONTROLLER BD - 8657, 8650/PS, 8680 OEM, MCI 2000 with Style 2 THERMAL HEAD	1	Return part.
	6C1250	CONTROLLER BD - 8600/PS, 8657, 8660 OEM, MCI 2000 with Style 1 THERMAL HEAD	1	Return part.
3	5B4020	FAN AY	1	
4	988245	STANDOFF	1	

Figure 23 CONTROLLER BOARD/EPROMS



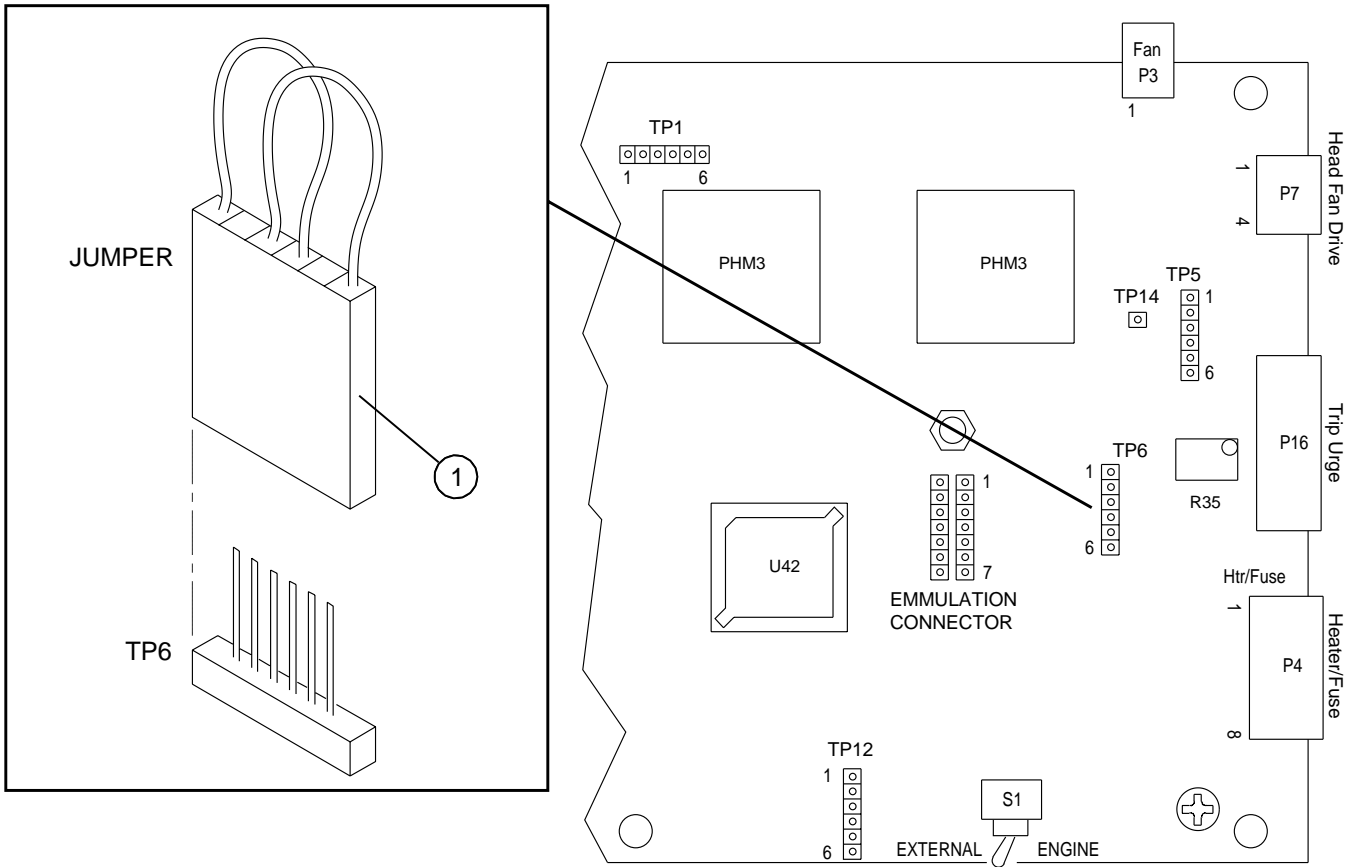
S1 ALLOWS YOU TO RUN  
DIAGNOSTICS IN ENGINE  
MODE.

A087\_2004ECA  
A087\_2004EC

**Figure 23 CONTROLLER BOARD/EPROMS**

Item	Part No.	Description	Qty.	Notes
1	6C1791	FIRMWARE - 8600/PS, 8657, 8660 OEM, MCI 2000 with Style 1 THERMAL HEAD	1	Includes: <ul style="list-style-type: none"> <li>• U9 6C1783</li> <li>• U19 5B5258</li> <li>• U20 5B5259</li> <li>• U42 5B5257</li> </ul>
	6C1792	FIRMWARE - 8650/PS, 8680 OEM with Style 1 THERMAL HEAD	1	Includes: <ul style="list-style-type: none"> <li>• U9 6C1784</li> <li>• U19 6C0824</li> <li>• U20 6C0823</li> <li>• U42 8B9060</li> </ul>
	6E0081	FIRMWARE - 8650/PS, 8657, 8680 OEM, MCI 2000 with Style 2 THERMAL HEAD	1	Includes: <ul style="list-style-type: none"> <li>• U9 7C3542</li> <li>• U19 2E5829</li> <li>• U20 2E5830</li> <li>• U42 7C3547</li> </ul>
	7C3539	FIRMWARE - 8600/PS, 8657, 8660 OEM, MCI 2000 with Style 2 THERMAL HEAD	1	Includes: <ul style="list-style-type: none"> <li>• U9 7C3541</li> <li>• U19 7C4641</li> <li>• U20 7C4643</li> <li>• U42 7C3547</li> </ul>

**Figure 24 CONTROLLER BD: THERMAL HEAD FUSE JUMPER**  
CONTROLLER BOARD

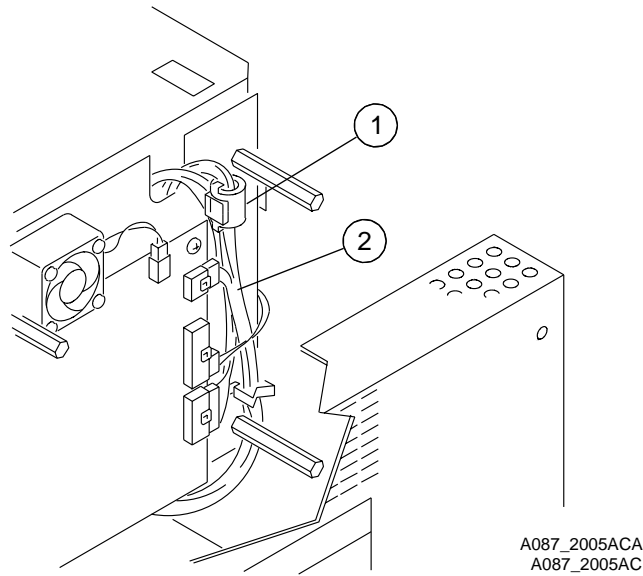


A087\_4138DCA  
A087\_4138DC

**Figure 24 CONTROLLER BD: THERMAL HEAD FUSE JUMPER**

Item	Part No.	Description	Qty.
1	5B5967	THERMAL HEAD FUSE JUMPER	1

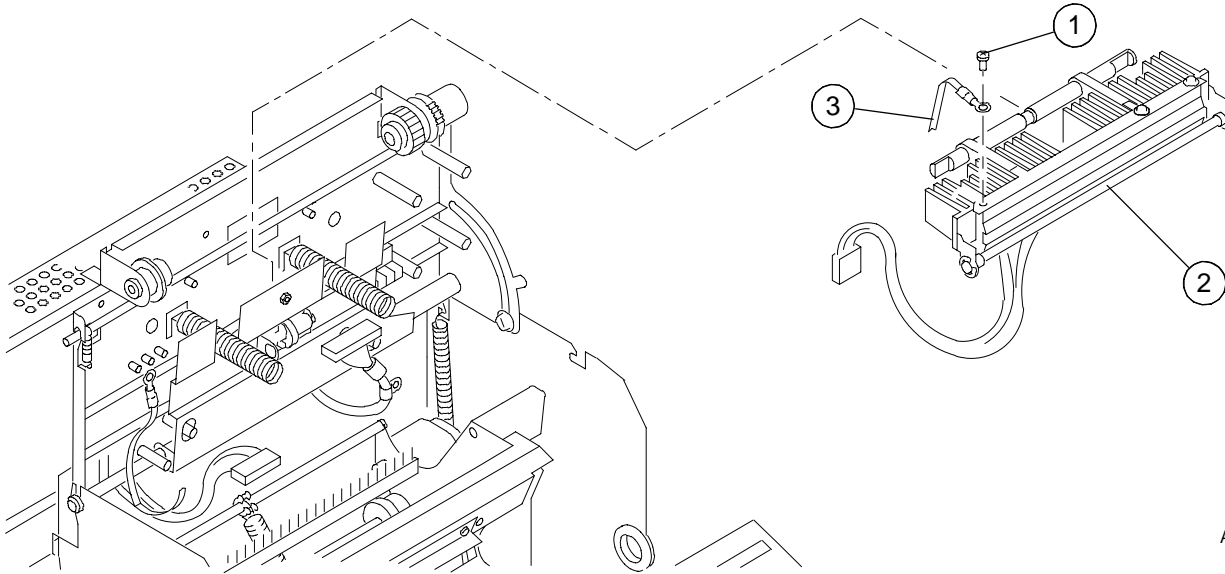
**Figure 25 THERMAL HEAD POWER CABLE**



**Figure 25 THERMAL HEAD POWER CABLE**

Item	Part No.	Description	Qty.	Notes
1	4B0247	THERMAL HEAD POWER CABLE	1	
2	952085	FERRITE BEAD - Split	1	
3	988531	EMI GROUND CLIP	1	Not visible in graphic.

Figure 26 THERMAL HEAD

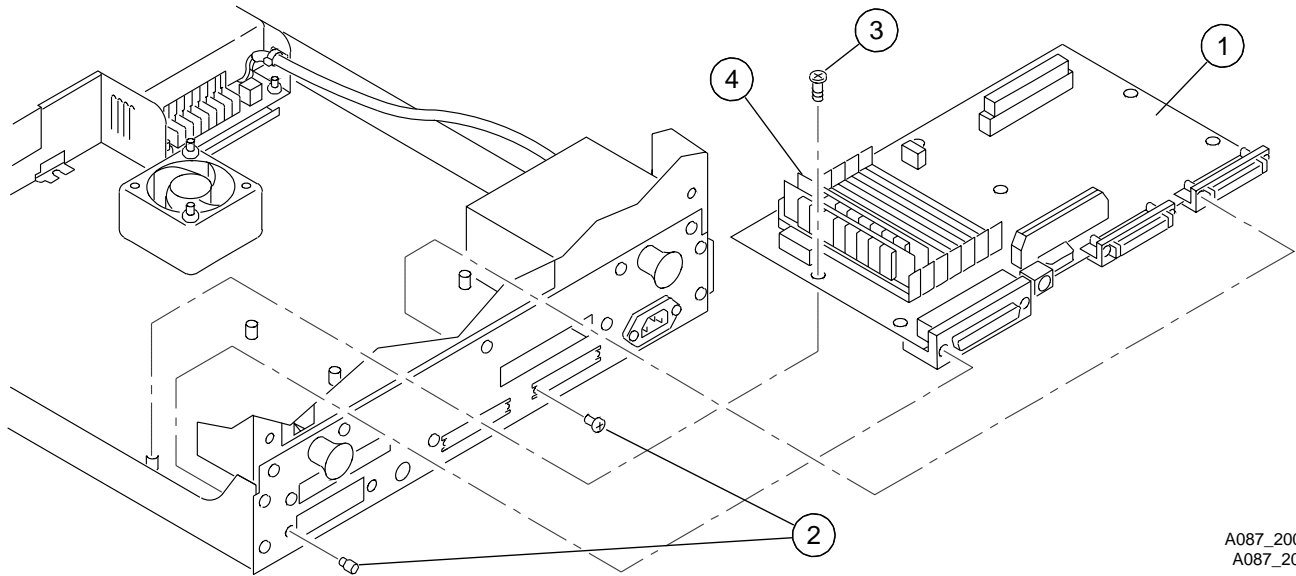


A087\_0018BCB  
A087\_0018BC

Figure 26 THERMAL HEAD

Item	Part No.	Description	Qty.	Notes
1	173599	HEAD SCREW - <i>Phillips</i>	1	
2	7C4085	THERMAL HEAD - Style 2	1	Return part.
3	988352	GROUND STRAP	1	
4	941391	SPRING	2	

Figure 27 FEE BOARD

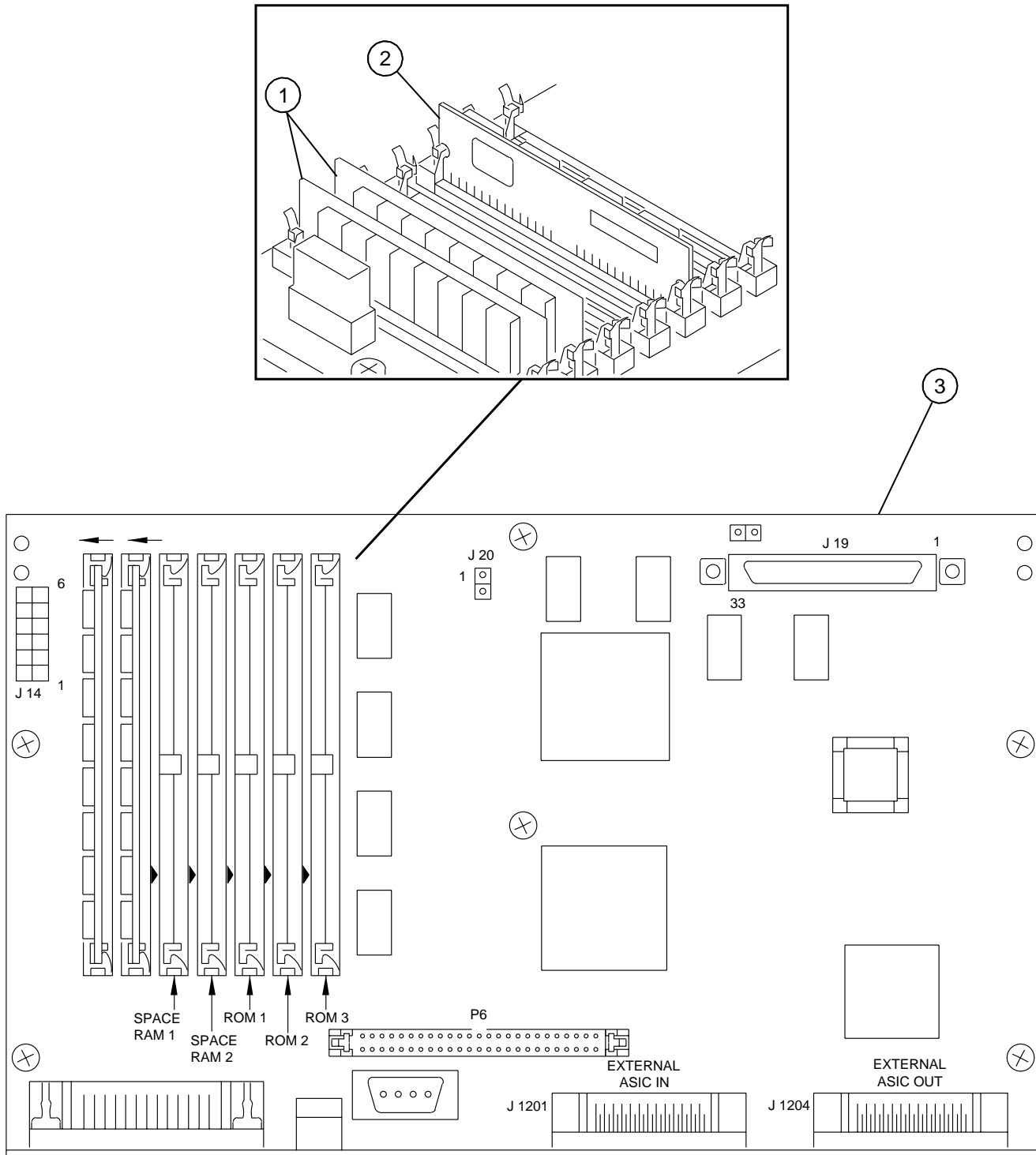


A087\_2007BCB  
A087\_2007BC

Figure 27 FEE BOARD

Item	Part No.	Description	Qty.	Notes
1	4B1035	FEE BOARD	1	Return part.
2	173599	HEAD SCREW - <i>Phillips</i>	3	
3	6C1647	SCREW - <i>Torx</i>	8	
4	6C4831	SIMM MEMORY STRIP	2	Quantity of 3 for the 8650 PS/48 MB

Figure 28 FEE BOARD - XLS 8600/PS, XLS 8657, and 8650/PS



A087\_5001ECA  
A087\_5001EC



Figure 28 FEE BOARD - XLS 8600/PS, XLS 8657, and 8650/PS

Item	Part No.	Description	Qty.	Notes
1	6C4831	SIMM MEMORY STRIP	2	Quantity of 3 for the 8650 PS/ 48 MB
2	3H7688	ROM SIMM KIT - 8600, 8657 with serial•numbers <T4003000, MCI 2000 with serial•numbers B700xxxx	1	Includes ROM 1 3H7683
	3H7699	ROM SIMM KIT - 8600 PS	1	Includes: • ROM 1 3H7689 • ROM 2 3H7694
	3H7657	ROM SIMM KIT - 8650 and 8657 with serial•numbers >T4003000, MCI 2000 with serial•numbers L110xxxx		Includes ROM 1 3H7650
	3H7680	ROM SIMM KIT - 8650 PS	1	Includes: • ROM 1 3H7661 • ROM 2 3H7666 • ROM 3 3H7671
	6C0954	ROMM SIMM KIT - 8400 PS	1	Includes: • ROM 1 4B1761 • ROM 2 4B1762
3	4B1035	FEE BOARD	1	

Figure 29 DRAWER: Components

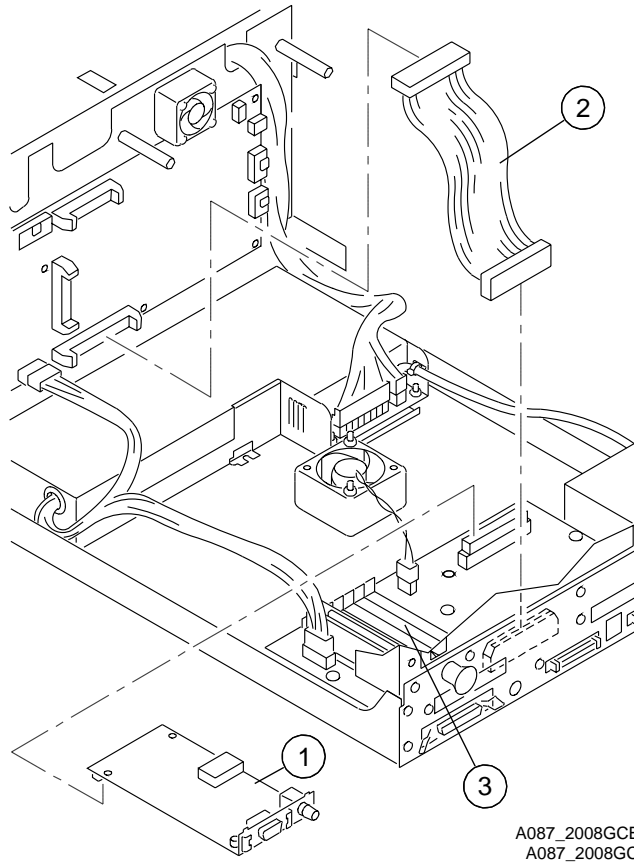
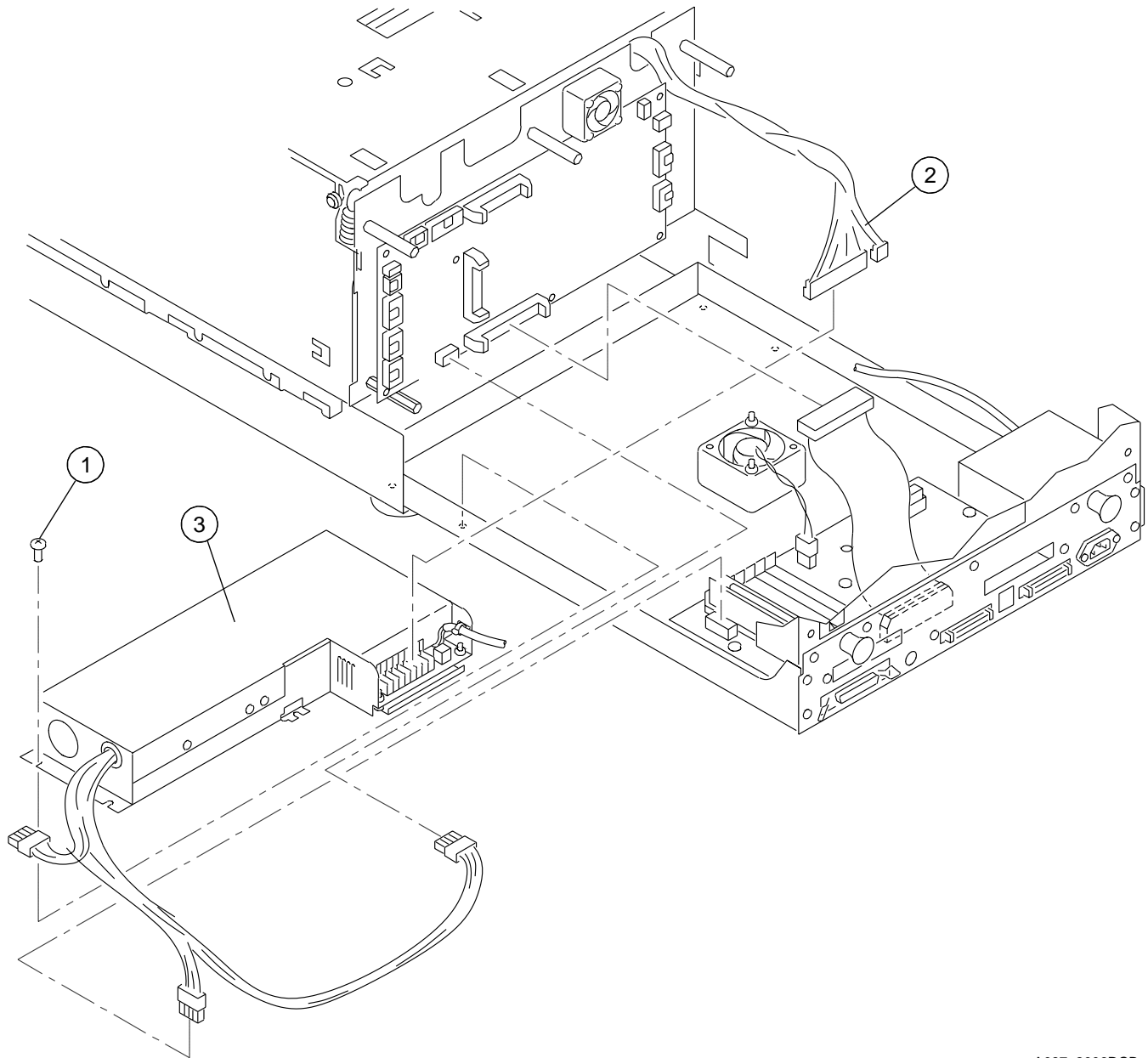


Figure 29 DRAWER: Components

Item	Part No.	Description	Qty.
1	1C9750	NETWORK INTERFACE CARD - XLS 8600 PS and 8650 PS	1
2	989029	FEE CABLE	1
3	6C4831	SIMM MEMORY STRIP	2

Figure 30 POWER SUPPLY

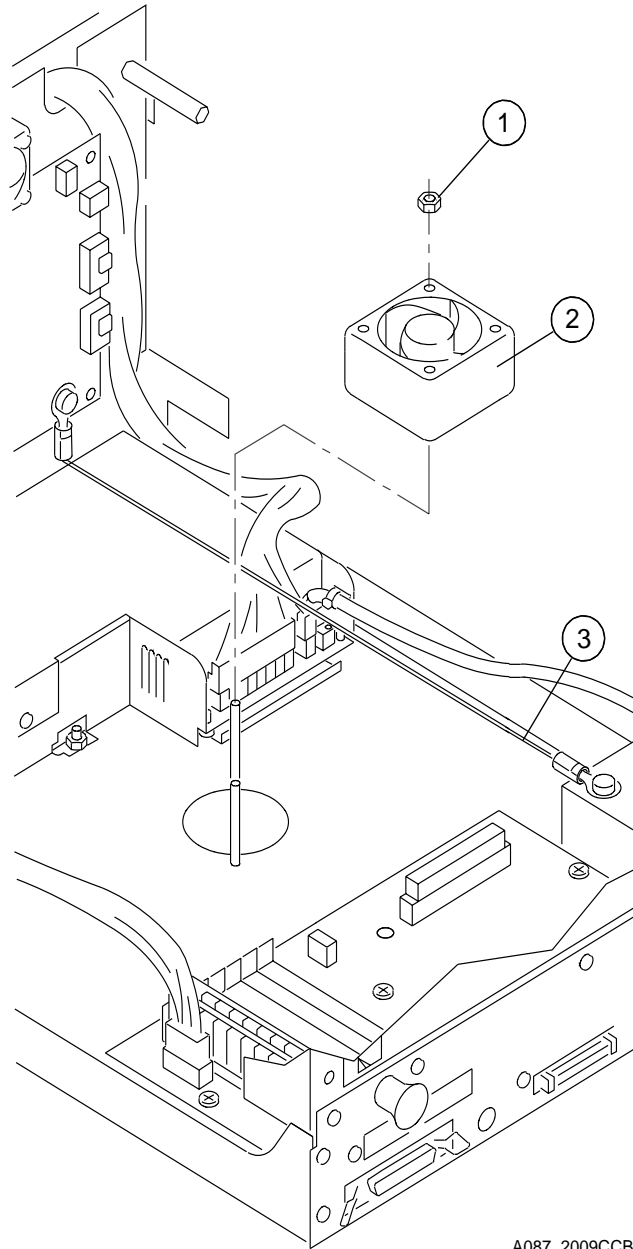


A087\_2006DCB  
A087\_2006DC

Figure 30 POWER SUPPLY

Item	Part No.	Description	Qty.	Notes
1	173599	HEAD SCREW - <i>Phillips</i>	4	
2	4B0247	THERMAL HEAD POWER CABLE	1	
3	2H3338	POWER SUPPLY	1	Return part.
4	988543	GROUND CABLE - Power supply	1	Not visible in graphic.
5	988531	EMI GROUND CLIP	1	Not visible in graphic.

Figure 31 DRAWER FAN

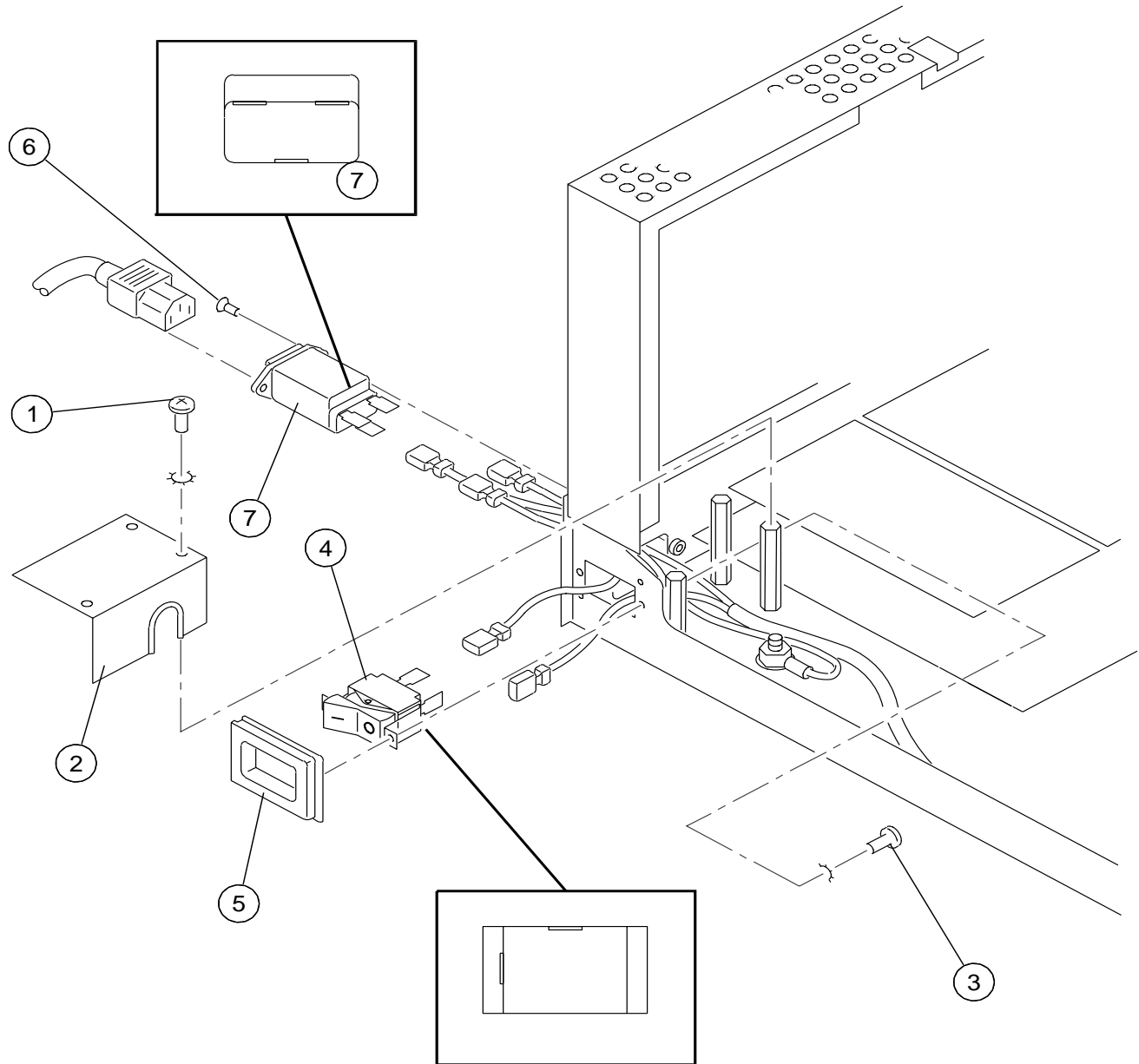


A087\_2009CCB  
A087\_2009CC

Figure 31 DRAWER FAN

Item	Part No.	Description	Qty.
1	609904	NUT	2
2	5B5293	DRAWER FAN	1
3	3B0208	DRAWER STRAP	1

Figure 32 POWER SWITCH and PLUG

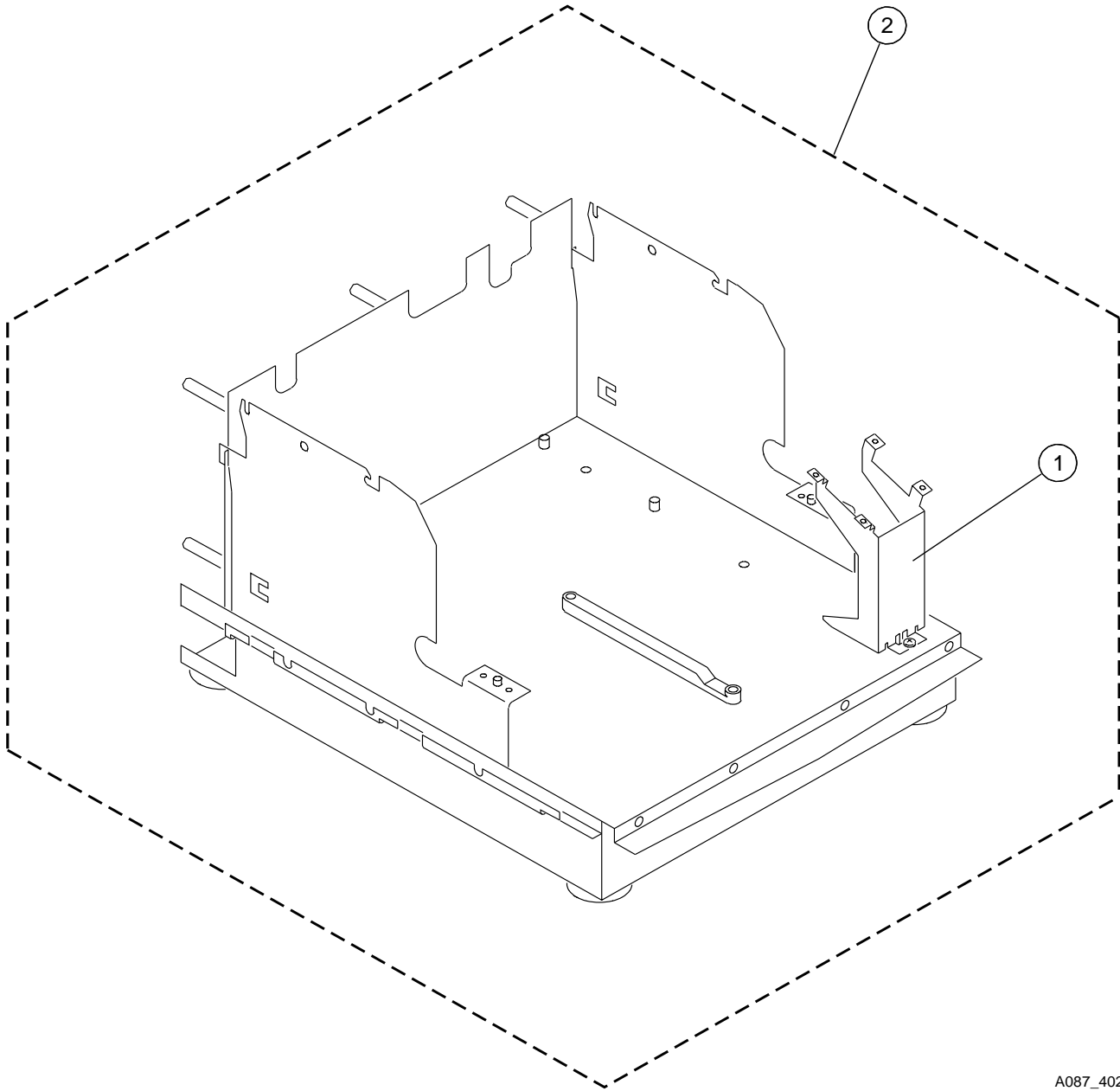


A087\_2023DCB  
A087\_2023DC

Figure 32 POWER SWITCH and PLUG

Item	Part No.	Description	Qty.
1	447110	SCREW - Torx	3
2	941366	SAFETY COVER	1
3	6C1647	SCREW - Torx	2
4	941304	POWER SWITCH	1
5	941306	BEZEL - Power switch	1
6	190598	HEAD SCREW - Allen	2
7	941305	LINE/FILTER PLUG	1

Figure 33 BASE ENCLOSURE AY



A087\_4023DCA  
A087\_4023DC

Figure 33 BASE ENCLOSURE AY

Item	Part No.	Description	Qty.
1	3B1254	LCD DISPLAY PANEL BRACKET - XLS 8600/PS and 8650/PS	1
	4B0318	LCD DISPLAY PANEL BRACKET - XLS 8657	1
2	8B9742	BASE ENCLOSURE AY - XLS 8600/PS and 8650/PS	1
	4B0327	BASE ENCLOSURE AY - XLS 8657	1

## Section 2: Alphabetical Index

### Alphabetical Index

Part No.	Description	Figure No.
4B0403	ADJUSTABLE PICKER AY	2, 3
8B9742	BASE ENCLOSURE AY - XLS 8600/PS and 8650/PS	33
4B0327	BASE ENCLOSURE AY - XLS 8657	33
941306	BEZEL - Power switch	32
3H6491	BLUE/GREEN LED BOARD	16
3B0212	BUSHING	17
988535	CABLE	16
3B0299	CABLE, THERMAL HEAD POSITION	18
941557	CAM GEAR	10
988549	CAPSTAN ROLLER SHAFT	11
989175	CLIP - Wire holder	4
6C1250	CONTROLLER BD - 8600/PS, 8657, 8660 OEM, MCI 2000 with Style 1 THERMAL HEAD	22
6C1793	CONTROLLER BD - 8600/PS, 8657, 8660 OEM, MCI 2000 with Style 1 THERMAL HEAD	22
6C1794	CONTROLLER BD - 8650/PS, 8680 OEM with Style 1 THERMAL HEAD	22
6C1251	CONTROLLER BD - 8657, 8650/PS, 8680 OEM, MCI 2000 with Style 2 THERMAL HEAD	22
719486	CORPORATE SYMBOL	1
8B9085	DATAPLATE - 8650 PS, 32 MB	12
8B9063	DATAPLATE - 8650 PS, 48 MB	12
8B9080	DATAPLATE - 8650	12
3B1244	DATAPLATE - XLS 8600 PS	12
3B1694	DATAPLATE - XLS 8600	12
4B0322	DATAPLATE - XLS 8657	12
4B0243	DONOR SENSOR BRACKET	9
2H3304	DONOR SUPPLY BRACKET, Adjustable	15
3B0275	DONOR SUPPLY SPINDLE AY	15
988370	DONOR SUPPLY SPINDLE AY	21
4B0406	DOOR AY	21
988369	DOOR BRAKE KIT	21
3B0055	DOOR COVER	1
941384	DOOR LATCH SHAFT AY	19
3B0707	DOOR LATCH	1
941379	DOOR SPRING	19
5B5293	DRAWER FAN	31
3B0208	DRAWER STRAP	31
988531	EMI GROUND CLIP	25, 30
5B5457	ENCASEMENT	1
3B0466	ENCLOSURE AY	12
149878	E-RING	17
794221	E-RING	19

## Alphabetical Index

Part No.	Description	Figure No.
5B4833	EXIT TRAY COVER	1
5B4020	FAN AY	22
7C3762	FAN BRACKET AY	16
4B1035	FEE BOARD	27, 28
989029	FEE CABLE	29
952085	FERRITE BEAD - Split	25
921332	FERRITE BEAD	14
6C1791	FIRMWARE - 8600/PS, 8657, 8660 OEM, MCI 2000 with Style 1 THERMAL HEAD	23
7C3539	FIRMWARE - 8600/PS, 8657, 8660 OEM, MCI 2000 with Style 2 THERMAL HEAD	23
6E0081	FIRMWARE - 8650/PS, 8657, 8680 OEM, MCI 2000 with Style 2 THERMAL HEAD	23
6C1792	FIRMWARE - 8650/PS, 8680 OEM with Style 1 THERMAL HEAD	23
258878	GROMMET	2, 3, 4
988543	GROUND CABLE - Power supply	30
988352	GROUND STRAP	26
190598	HEAD SCREW - <i>Allen</i>	32
173599	HEAD SCREW - <i>Phillips</i>	1, 4, 9, 26, 27, 30
939675	HEAD SCREW - <i>Phillips</i>	5, 6
941502	IDLER GEAR	10
988367	INTERLOCK SWITCH	20
941490	KICKER BAND	11
941626	KNOB	12
3B1254	LCD DISPLAY PANEL BRACKET - XLS 8600/PS and 8650/PS	13, 33
4B0318	LCD DISPLAY PANEL BRACKET - XLS 8657	13, 33
4B1272	LCD DISPLAY PANEL BRACKET - XLS 8660/8680 OEM	13
941363	LCD DISPLAY PANEL	13
961846	LEAD EDGE SENSOR BRACKET	9
941305	LINE/FILTER PLUG	32
3B0726	MOTOR BRACKET AY	14
8B9087	NAMEPLATE LABEL - 8650 PS	1
8B9082	NAMEPLATE LABEL - 8650	1
4B1057	NAMEPLATE LABEL - XLS 8600 PS	1
4B1058	NAMEPLATE LABEL - XLS 8600	1
4B1059	NAMEPLATE LABEL - XLS 8657	1
1C9750	NETWORK INTERFACE CARD - XLS 8600 PS and 8650 PS	29
609904	NUT	13, 16, 31
4B0326	PICKER ADAPTER BRACKET - XLS 8657	3, 13
5B5721	PICKER SUPPORT	2
5B5910	PICKER WHEEL CLEANING KIT	2, 3
3B0200	PINCH MOTOR GEAR	10
6C1949	PINCH MOTOR KIT	10
5B4692	POLYESTER NIGHT TIME COVER	1
2H3338	POWER SUPPLY	30



## Alphabetical Index

Part No.	Description	Figure No.
941304	POWER SWITCH	32
941338	PRINTER FOOT	1
5B5126	ROLLER AY with GEAR COVER	8
3H7699	ROM SIMM KIT - 8600 PS	28
28	28	28
3H7657	ROM SIMM KIT - 8650 and 8657 with serial•numbers >T4003000, MCI 2000 with serial•numbers L110xxxx	28
3H7680	ROM SIMM KIT - 8650 PS	28
6C0954	ROMM SIMM KIT - 8400 PS	28
941366	SAFETY COVER	32
3C0672	SCREW - <i>Torx</i>	18
447110	SCREW - <i>Torx</i>	32
6C1647	SCREW - <i>Torx</i>	27, 32
6C1774	SCREW - <i>Torx</i>	13, 22
6C1911	SCREW - <i>Torx</i>	14, 15
6C1912	SCREW - <i>Torx</i>	8
6C1913	SCREW - <i>Torx</i>	3, 12
166667	SCREW	9
251526	SCREW	1
5B5722	SCREW	2
988346	SCREW	1
3B0363	SCSI TERMINATOR	12
941401	SENSOR, THERMAL HEAD POSITION	18
6C1886	SHIPPING PIN	1
6C4831	SIMM MEMORY STRIP	27, 28, 29
253099	SPRING	19
941391	SPRING	26
988245	STANDOFF	22
4B0849	SUPPLY CLUTCH	21
4B1462	SUPPLY SPINDLE AY KIT	21
4B1462	SUPPLY SPINDLE AY	17
4B0713	TAKE-UP CLUTCH AY - XLS 8600/PS and 8650/PS	17
988371	TAKE-UP SPINDLE AY	17
7C4085	THERMAL HEAD - Style 2	26
4B1344	THERMAL HEAD DATA CABLE	15
5B5967	THERMAL HEAD FUSE JUMPER	24
4B0230	THERMAL HEAD LIFT SHAFT AY	17
4B0247	THERMAL HEAD POWER CABLE	25, 30
4B0330	TRAY - XLS 8657	1
941617	TRAY GUIDE - XLS 8600/PS and 8650/PS	5
4B0319	TRAY GUIDE - XLS 8657	6
3B0273	TRAY TYPE SENSOR AY	7
988368	TRAY TYPE SENSOR AY	7
4B0429	UNITRAY - 8.5 in.	1
4B0431	UNITRAY - 9.5 x 14 in.	1

**Alphabetical Index**

<b>Part No.</b>	<b>Description</b>	<b>Figure No.</b>
4B0430	UNITRAY - A4	1
4B0331	URGE AY	4
4B1027	URGE STIFFENER	4
3B0249	WASHER - CAM	17

## Section 3: Numerical Index

### Numerical Index

Part No.	Description	Figure No.
149878	E-RING	17
166667	SCREW	9
173599	HEAD SCREW - <i>Phillips</i>	1, 4, 9, 26, 27, 30
190598	HEAD SCREW - <i>Allen</i>	32
1C9750	NETWORK INTERFACE CARD - XLS 8600 PS and 8650 PS	29
251526	SCREW	1
253099	SPRING	19
258878	GROMMET	2, 3, 4
2H3304	DONOR SUPPLY BRACKET, Adjustable	15
2H3338	POWER SUPPLY	30
3B0055	DOOR COVER	1
3B0200	PINCH MOTOR GEAR	10
3B0208	DRAWER STRAP	31
3B0212	BUSHING	17
3B0249	WASHER - CAM	17
3B0273	TRAY TYPE SENSOR AY	7
3B0275	DONOR SUPPLY SPINDLE AY	15
3B0299	CABLE, THERMAL HEAD POSITION	18
3B0363	SCSI TERMINATOR	12
3B0466	ENCLOSURE AY	12
3B0707	DOOR LATCH	1
3B0726	MOTOR BRACKET AY	14
3B1244	DATAPLATE - XLS 8600 PS	12
3B1254	LCD DISPLAY PANEL BRACKET - XLS 8600/PS and 8650/PS	13, 33
3B1694	DATAPLATE - XLS 8600	12
3C0672	SCREW - <i>Torx</i>	18
3H6491	BLUE/GREEN LED BOARD	16
3H7657	ROM SIMM KIT - 8650 and 8657 with serial•numbers >T4003000, MCI 2000 with serial•numbers L110xxxx	28
3H7680	ROM SIMM KIT - 8650 PS	28
3H7688	ROM SIMM KIT - 8600, 8657 with serial•numbers	28
3H7699	ROM SIMM KIT - 8600 PS	28
447110	SCREW - <i>Torx</i>	32
4B0230	THERMAL HEAD LIFT SHAFT AY	17
4B0243	DONOR SENSOR BRACKET	9
4B0247	THERMAL HEAD POWER CABLE	25, 30
4B0318	LCD DISPLAY PANEL BRACKET - XLS 8657	13, 33
4B0319	TRAY GUIDE - XLS 8657	6
4B0322	DATAPLATE - XLS 8657	12
4B0326	PICKER ADAPTER BRACKET - XLS 8657	3, 13
4B0327	BASE ENCLOSURE AY - XLS 8657	33
4B0330	TRAY - XLS 8657	1
4B0331	URGE AY	4

## Numerical Index

Part No.	Description	Figure No.
4B0403	ADJUSTABLE PICKER AY	2, 3
4B0406	DOOR AY	21
4B0429	UNITRAY - 8.5 in.	1
4B0430	UNITRAY - A4	1
4B0431	UNITRAY - 9.5 x 14 in.	1
4B0713	TAKE-UP CLUTCH AY - XLS 8600/PS and 8650/PS	17
4B0849	SUPPLY CLUTCH	21
4B1027	URGE STIFFENER	4
4B1035	FEE BOARD	27, 28
4B1057	NAMEPLATE LABEL - XLS 8600 PS	1
4B1058	NAMEPLATE LABEL - XLS 8600	1
4B1059	NAMEPLATE LABEL - XLS 8657	1
4B1272	LCD DISPLAY PANEL BRACKET - XLS 8660/8680 OEM	13
4B1344	THERMAL HEAD DATA CABLE	15
4B1462	SUPPLY SPINDLE AY	17
4B1462	SUPPLY SPINDLE AY KIT	21
5B4020	FAN AY	22
5B4692	POLYESTER NIGHT TIME COVER	1
5B4833	EXIT TRAY COVER	1
5B5126	ROLLER AY with GEAR COVER	8
5B5293	DRAWER FAN	31
5B5457	ENCASEMENT	1
5B5721	PICKER SUPPORT	2
5B5722	SCREW	2
5B5910	PICKER WHEEL CLEANING KIT	2, 3
5B5967	THERMAL HEAD FUSE JUMPER	24
609904	NUT	13, 16, 31
6C0954	ROMM SIMM KIT - 8400 PS	28
6C1250	CONTROLLER BD - 8600/PS, 8657, 8660 OEM, MCI 2000 with Style 1 THERMAL HEAD	22
6C1251	CONTROLLER BD - 8657, 8650/PS, 8680 OEM, MCI 2000 with Style 2 THERMAL HEAD	22
6C1647	SCREW - <i>Torx</i>	27, 32
6C1774	SCREW - <i>Torx</i>	13, 22
6C1791	FIRMWARE - 8600/PS, 8657, 8660 OEM, MCI 2000 with Style 1 THERMAL HEAD	23
6C1792	FIRMWARE - 8650/PS, 8680 OEM with Style 1 THERMAL HEAD	23
6C1793	CONTROLLER BD - 8600/PS, 8657, 8660 OEM, MCI 2000 with Style 1 THERMAL HEAD	22
6C1794	CONTROLLER BD - 8650/PS, 8680 OEM with Style 1 THERMAL HEAD	22
6C1886	SHIPPING PIN	1
6C1911	SCREW - <i>Torx</i>	14, 15
6C1912	SCREW - <i>Torx</i>	8
6C1913	SCREW - <i>Torx</i>	3, 12

## Numerical Index

Part No.	Description	Figure No.
6C1949	PINCH MOTOR KIT	10
6C4831	SIMM MEMORY STRIP	27, 28, 29
6E0081	FIRMWARE - 8650/PS, 8657, 8680 OEM, MCI 2000 with Style 2 THERMAL HEAD	23
719486	CORPORATE SYMBOL	1
794221	E-RING	19
7C3539	FIRMWARE - 8600/PS, 8657, 8660 OEM, MCI 2000 with Style 2 THERMAL HEAD	23
7C3762	FAN BRACKET AY	16
7C4085	THERMAL HEAD - Style 2	26
8B9063	DATAPLATE - 8650 PS, 48 MB	12
8B9080	DATAPLATE - 8650	12
8B9082	NAMEPLATE LABEL - 8650	1
8B9085	DATAPLATE - 8650 PS, 32 MB	12
8B9087	NAMEPLATE LABEL - 8650 PS	1
8B9742	BASE ENCLOSURE AY - XLS 8600/PS and 8650/PS	33
921332	FERRITE BEAD	14
939675	HEAD SCREW - <i>Phillips</i>	5, 6
941304	POWER SWITCH	32
941305	LINE/FILTER PLUG	32
941306	BEZEL - Power switch	32
941338	PRINTER FOOT	1
941363	LCD DISPLAY PANEL	13
941366	SAFETY COVER	32
941379	DOOR SPRING	19
941384	DOOR LATCH SHAFT AY	19
941391	SPRING	26
941401	SENSOR, THERMAL HEAD POSITION	18
941490	KICKER BAND	11
941502	IDLER GEAR	10
941557	CAM GEAR	10
941617	TRAY GUIDE - XLS 8600/PS and 8650/PS	5
941626	KNOB	12
952085	FERRITE BEAD - Split	25
961846	LEAD EDGE SENSOR BRACKET	9
988245	STANDOFF	22
988346	SCREW	1
988352	GROUND STRAP	26
988367	INTERLOCK SWITCH	20
988368	TRAY TYPE SENSOR AY	7
988369	DOOR BRAKE KIT	21
988370	DONOR SUPPLY SPINDLE AY	21
988371	TAKE-UP SPINDLE AY	17
988531	EMI GROUND CLIP	25, 30
988535	CABLE	16

**Numerical Index**

<b>Part No.</b>	<b>Description</b>	<b>Figure No.</b>
988543	GROUND CABLE - Power supply	30
988549	CAPSTAN ROLLER SHAFT	11
989029	FEE CABLE	29
989175	CLIP - Wire holder	4

**This page is intentionally blank.**

*Kodak, Digital Science, and Kodak Professional* are trademarks.

Printed in U.S.A. • ip2935\_1\_17mar00.fm

EASTMAN KODAK COMPANY  
Rochester, NY 14650

**Kodak Service & Support**